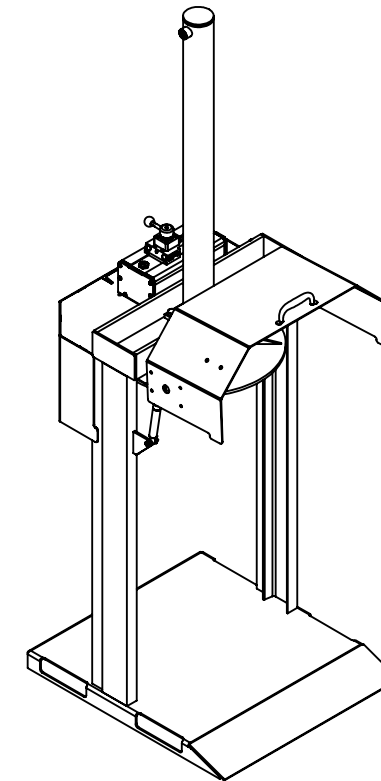
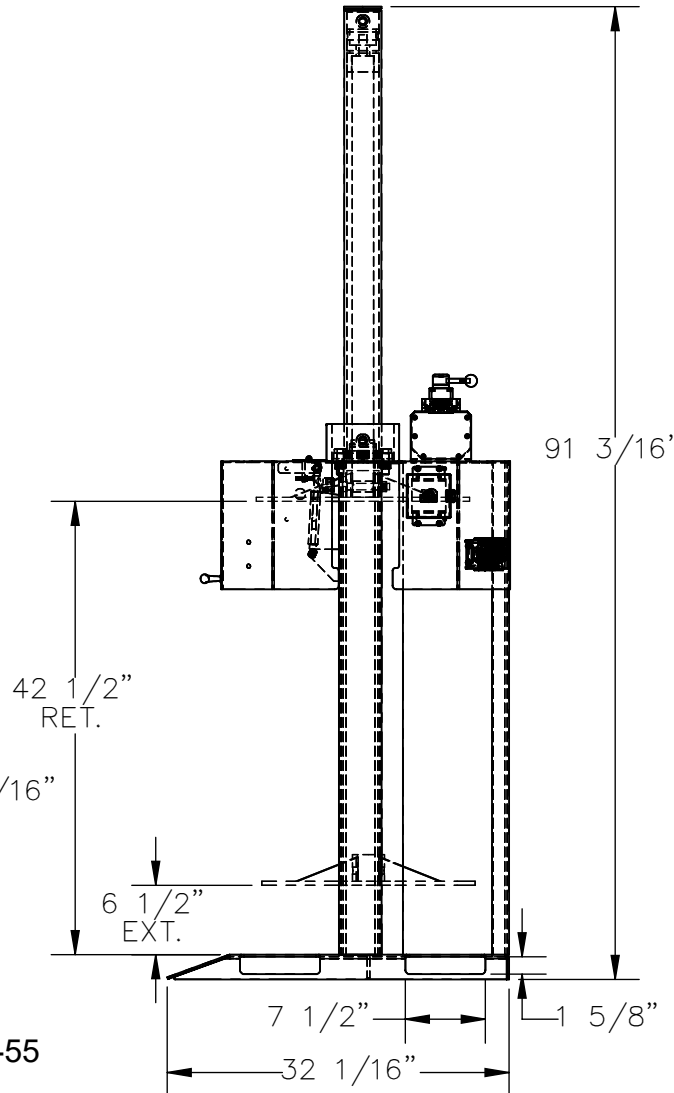
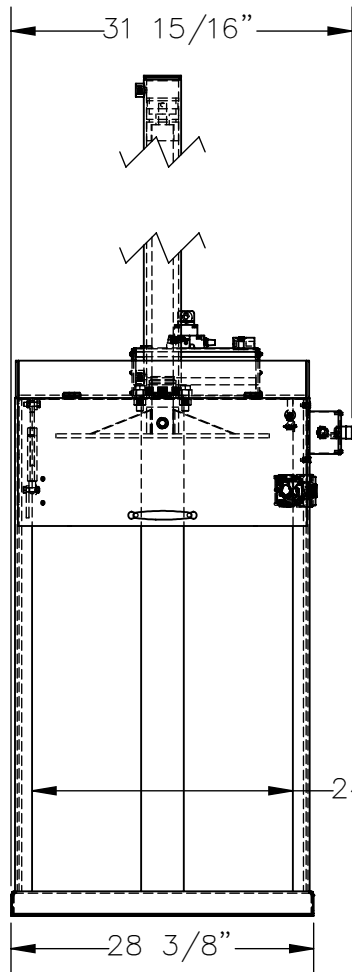


HYDRAULIC TRASH COMPACTOR - MTC-PNU-55

APPROX WEIGHT: 360.26 lbs.
DOES NOT INCLUDE WEIGHT OF POWER OR PACKAGING!!!

*** ANY ADDITIONS, DELETIONS, OR OMISSIONS MUST BE CORRECTED ON THIS DRAWING AS THIS DRAWING WILL BE CONSIDERED ALL INCLUSIVE ***

ALL GRAPHICS PROVIDED ARE FOR REFERENCE ONLY. IF CERTAIN DIMENSIONS ARE CRITICAL PLEASE VERIFY THOSE DIMENSIONS WITH YOUR SALESPERSON



DOOR SHOWN OPEN FOR REFERENCE

DIMENSION TOLERANCE $\pm 1/4"$

STANDARD FEATURES

- MODEL NUMBER IS MTC-PNU-55
- OVERALL WIDTH: 31 15/16"
- USABLE WIDTH: 24 7/16"
- OVERALL LENGTH: 32 1/16"
- OVERALL HEIGHT: 91 3/16"
- FULL STROKE COMPACTED HEIGHT IS 6 1/2"
- FORK POCKET OPENING: 1 5/8" X 7 1/2"
- USE WITH STEEL 55 GAL DRUMS
- 9000 LBS COMPACTING FORCE
- OPERATIONAL AIR FLOW: 15 CFM
- OPERATIONAL AIR PRESSURE: 90 PSI
- MANUAL DIRECTIONAL CONTROL VALVE
- DURABLE LIQUID PAINT BLUE FINISH

SPECIAL FEATURES

NONE

APPROVAL

I, THE UNDERSIGNED, AGREE THAT THE PRODUCT AS REPRESENTED SATISFIES DESIGN AND DIMENSION REQUIREMENTS. I ALSO ACKNOWLEDGE MY DUTY TO CONFIRM PRODUCT AND INSTALLATION COMPLIANCE WITH ALL APPLICABLE FEDERAL, STATE AND LOCAL REGULATIONS AND STANDARDS.

UNITS REQUIRING APPROVAL DRAWINGS OR MODIFIED ARE NON-RETURNABLE

[] As drawn [] As marked

Signed: _____ Date: _____

Printed Name: _____

LEAD TIME WILL START UPON RECEIPT OF SIGNED APPROVAL DRAWING

DISTRIBUTOR'S NAME:		P.O.#
VESTIL MANUFACTURING		X
DRAWN BY: CRH		W.O.#
DATE: 1/31/2020		X
REFERENCE: X	SCALE: 1:18	SALES: X
QUOTED LEAD TIME: X	QUOTE #	FILE NAME:
	X	22-007-021