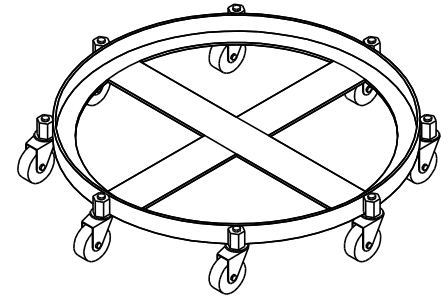
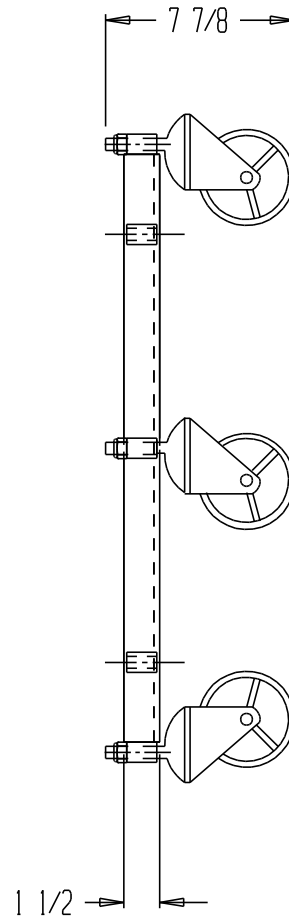
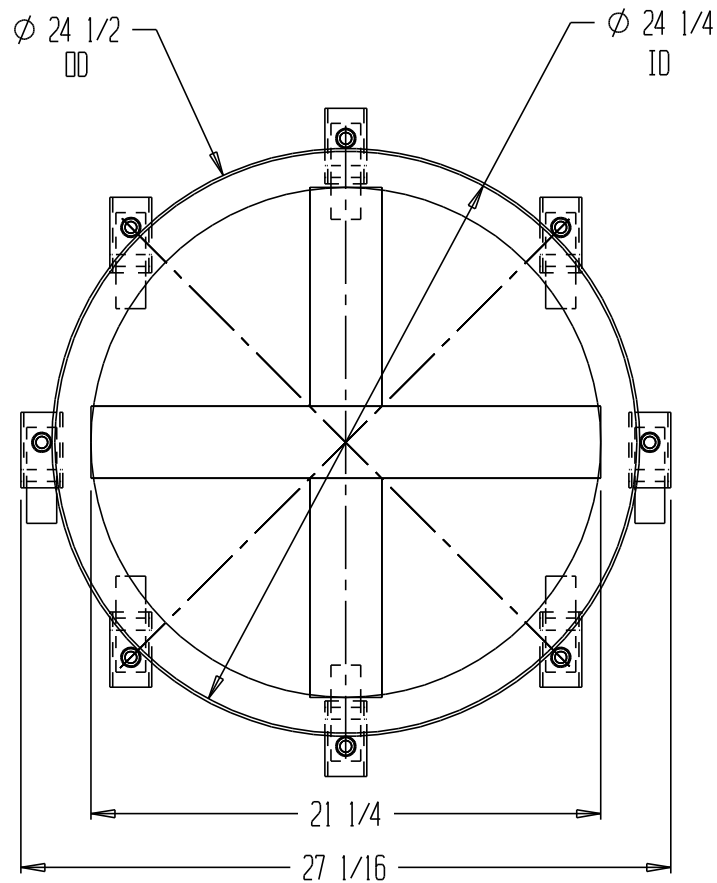


OCTO DOLLY - OCTO-55



3D VIEW AT 1:12 SCALE

LEAD TIME WILL START UPON
RECEIPT OF SIGNED APPROVAL
DRAWING

APPROVAL

I, the undersigned, hereby approve this print
 As drawn As marked
 This includes my approval of design & dimensions.

Signed: _____
 Date: _____

STANDARD FEATURES

- MODEL NUMBER: OCTO-55
- CAPACITY: 2,000 LBS
- MODEL NUMBER OCTO-55
- 24 1/2" OVERALL RING DIAMETER
- 7 7/8" OVERALL HEIGHT
- INCLUDES EIGHT 4" STEEL SWIVEL CASTERS
- HOLDS ONE 55 GALLON STEEL DRUM

**SPECIAL UNITS ARE NON-RETURNABLE
 *AVAILABLE AT ADDITIONAL COSTS

DISTRIBUTOR'S NAME:		P.O.#: _
VESTIL MANUFACTURING		W.O.#: _
DRAWN BY: K. YOUNG	DATE: 5/18/04	SALES: _
REFERENCE:		DRWG./FILE NAME:
-	scale: 1:8	33-007-076