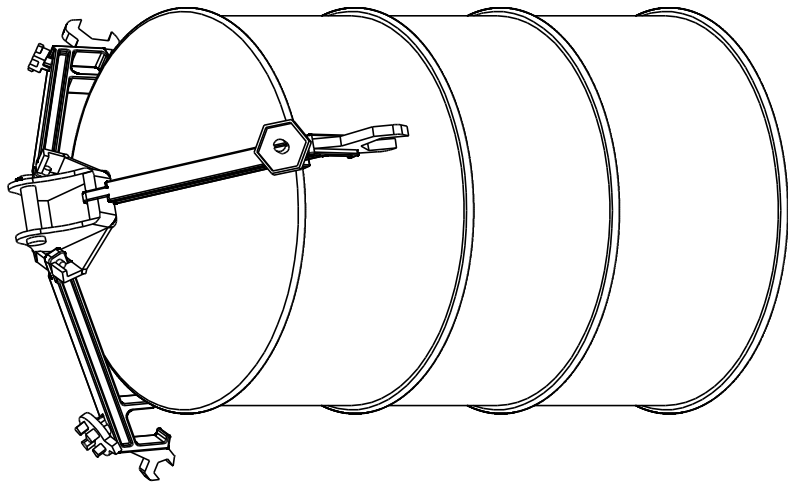
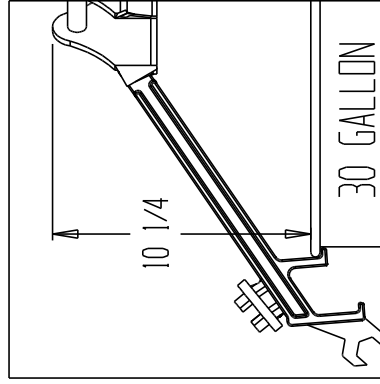
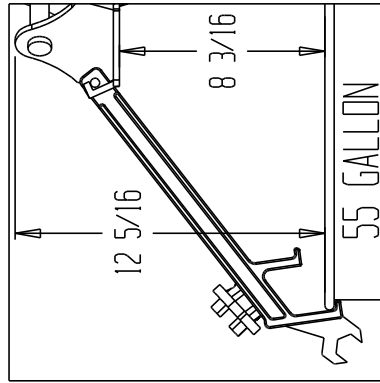
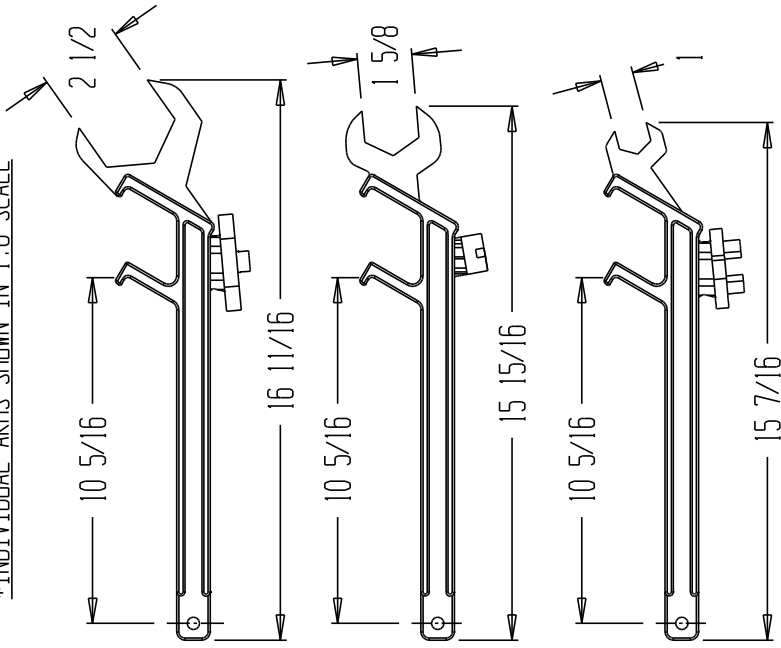


MULTI-PURPOSE OVERHEAD DRUM LIFTER/WRENCH PDL-800-M

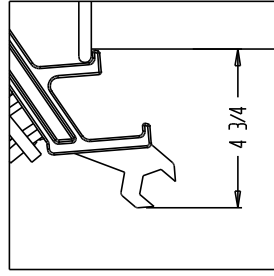
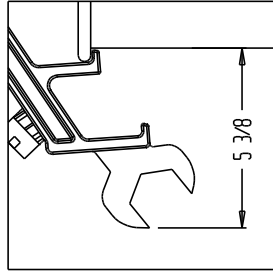
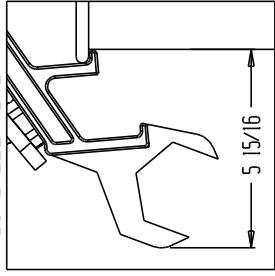


*INDIVIDUAL ARMS SHOWN IN 1:6 SCALE

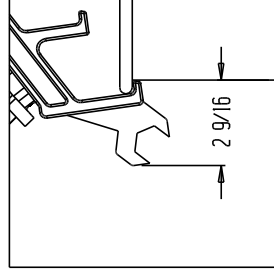
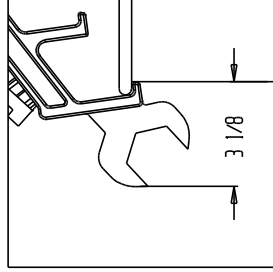
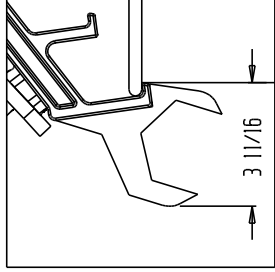


VIEW SCALE: 1:8

DIMENSIONS WITH 30 GALLON DRUM



DIMENSIONS WITH 55 GALLON DRUM



IEWS ABOVE SCALE: 1:6

STANDARD FEATURES

- MODEL NUMBER: PDL-800-M
- CAPACITY: 800 LBS
- DISASSEMBLED ARMS SERVE AS PLUG, FAUCET OR RING WRENCH
- UNIT TO BE USED WITH FIBER, PLASTIC OR STEEL 55 GAL. DRUMS
- HOUSING HEIGHT - 4-1/4"

APPROVAL

I, the undersigned, hereby approve this print
 As drawn As marked
 This includes my approval of design & dimensions.

Signed: _____

Date: _____

DISTRIBUTOR'S NAME:

T & S EQUIPMENT

P.O.#: -

W.D.#: -

DRAWN BY: K. YOUNG

DATE: -

REFERENCE:

PRODUCTION WILL START UPON RECEIPT OF SIGNED APPROVAL DRAWING

**SPECIAL UNITS ARE NON-RETURNABLE
 *AVAILABLE AT ADDITIONAL COSTS

scale: 1:10

09-007-082