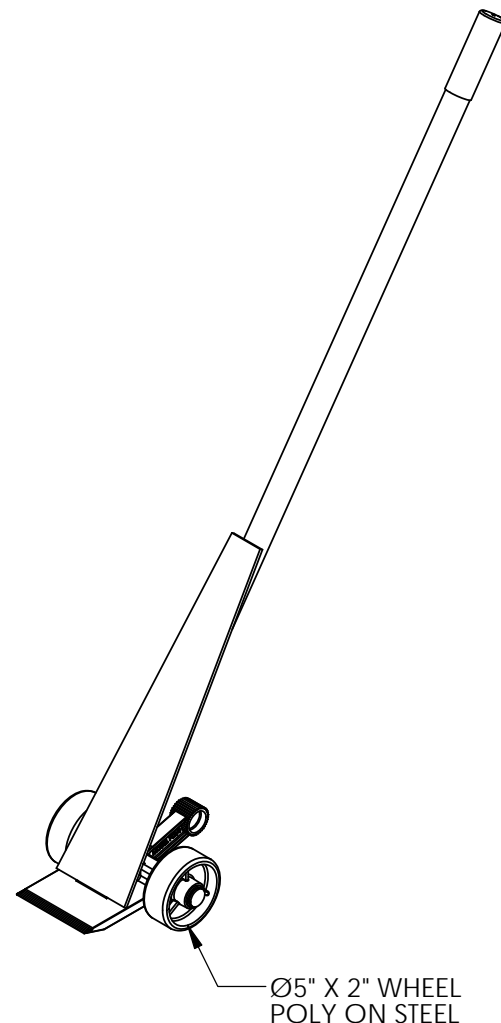
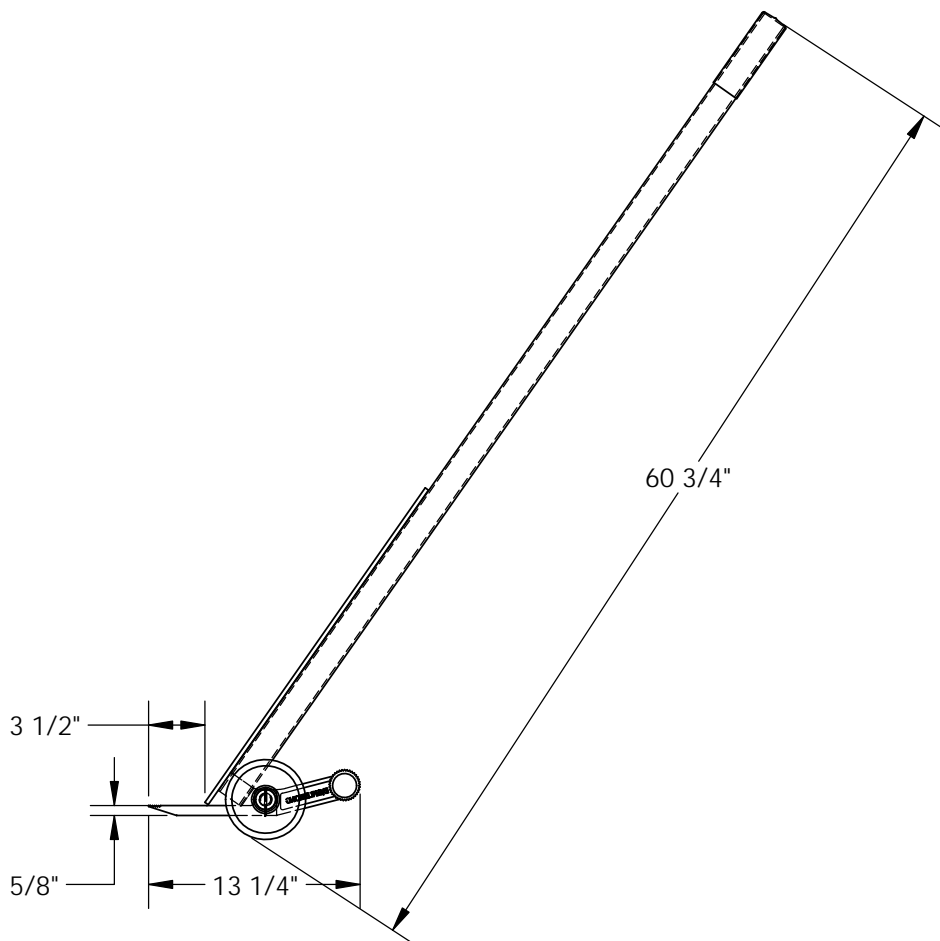
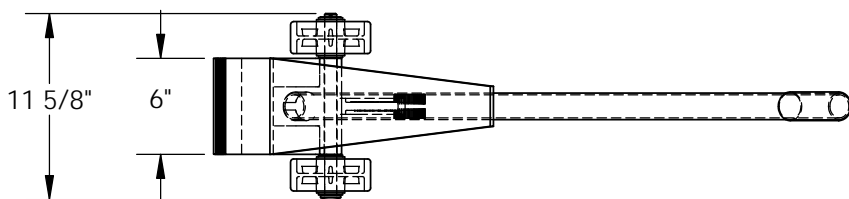


# STEEL PRYLEVER BAR - PLB/S-5

APPROX WEIGHT: 41.00 lbs.  
DOES NOT INCLUDE WEIGHT OF POWER OR PACKAGING!!!

\*\*\*ANY ADDITIONS, DELETIONS, OR OMISSIONS MUST BE CORRECTED ON THIS DRAWING AS THIS DRAWING WILL BE CONSIDERED ALL INCLUSIVE\*\*\*



ALL GRAPHICS PROVIDED ARE FOR REFERENCE ONLY. IF CERTAIN DIMENSIONS ARE CRITICAL PLEASE VERIFY THOSE DIMENSIONS WITH YOUR SALESPERSON

DIMENSION TOLERANCE ± 1/4"

## STANDARD FEATURES

- MODEL NUMBER IS PLB/S-5
- CAPACITY IS 5,000 LBS.
- USABLE LIP IS 3 1/2"
- OVERALL LENGTH IS 13 1/4"
- OVERALL WIDTH IS 11 5/8"
- OVERALL HEIGHT IS 60 13/16"
- BAR LENGTH IS 59 7/16"
- ALL STEEL CONSTRUCTION
- (2)-Ø5" X 2" POLY ON STEEL WHEEL

## SPECIAL FEATURES

NONE

<b>A P P R O V A L</b>	I, THE UNDERSIGNED, AGREE THAT THE PRODUCT AS REPRESENTED SATISFIES DESIGN AND DIMENSION REQUIREMENTS. I ALSO ACKNOWLEDGE MY DUTY TO CONFIRM PRODUCT AND INSTALLATION COMPLIANCE WITH ALL APPLICABLE FEDERAL, STATE AND LOCAL REGULATIONS AND STANDARDS.	
	<b>ANY MODIFIED UNITS ARE NON-RETURNABLE</b>	
	[ ] As drawn      [ ] As marked	
	Signed: _____ Date: _____	
Printed Name: _____		
<i>LEAD TIME WILL START UPON RECEIPT OF SIGNED APPROVAL DRAWING</i>		

FOR INTERNAL USE ONLY PROJECT SIGN OFF		DISTRIBUTOR'S NAME:		P.O.#
SALES		<b>VESTIL MANUFACTURING</b>		X
ENG.		DRAWN BY: SR	DATE: 4/20/09	W.O.#
FAB.		REFERENCE: X	SCALE: 1:12	X
POWER		QUOTED LEAD TIME: X	QUOTE #	FILE NAME:
			X	33-007-004