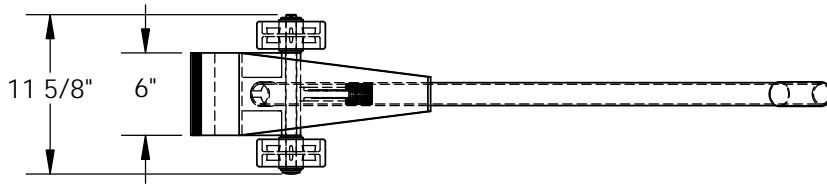


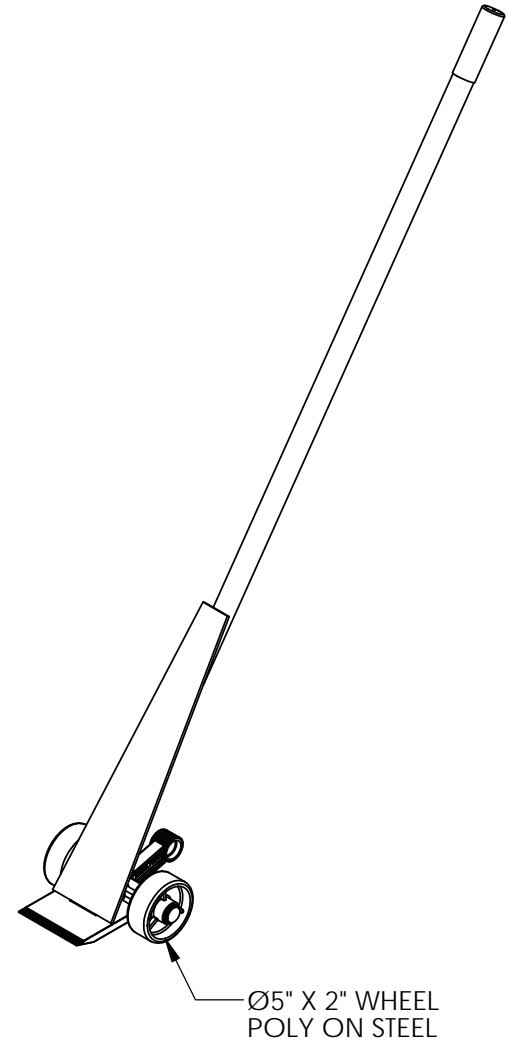
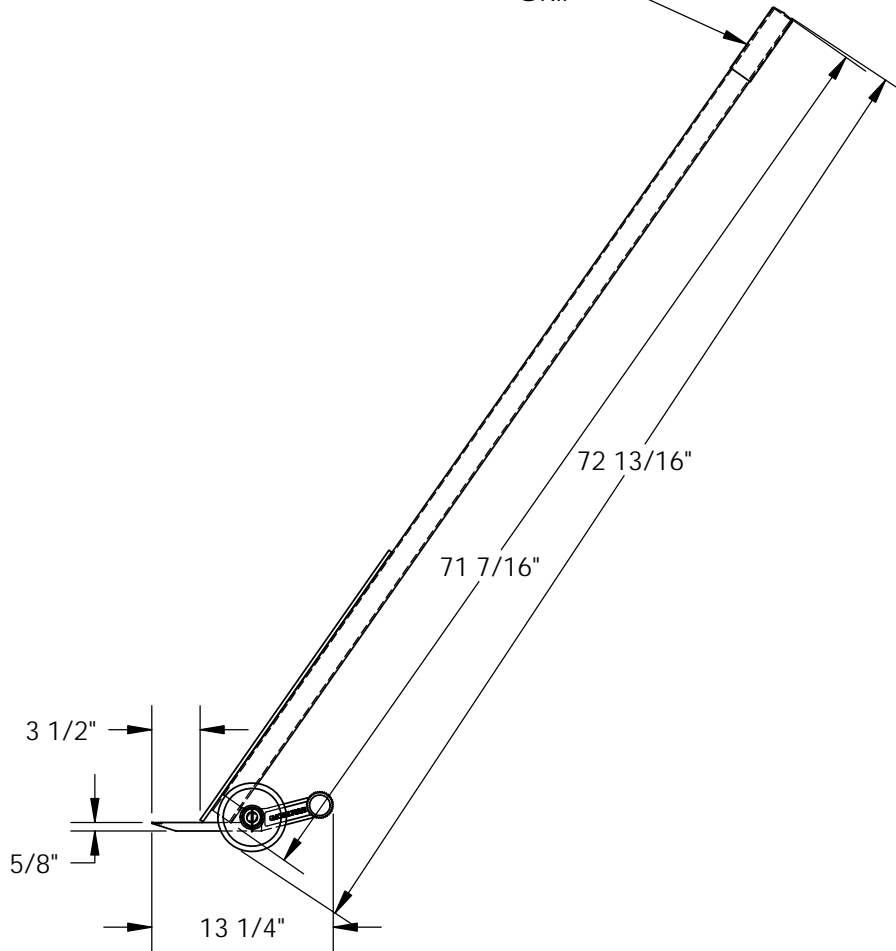
STEEL PRYLEVER BAR, PLB/S-6

APPROX WEIGHT: 42.81 lbs.
DOES NOT INCLUDE WEIGHT OF POWER OR PACKAGING!!!

ANY ADDITIONS, DELETIONS, OR OMISSIONS MUST BE CORRECTED ON THIS DRAWING AS THIS DRAWING WILL BE CONSIDERED ALL INCLUSIVE



GRIP



Ø5" X 2" WHEEL
POLY ON STEEL

ALL GRAPHICS PROVIDED ARE FOR REFERENCE ONLY. IF CERTAIN DIMENSIONS ARE CRITICAL PLEASE VERIFY THOSE DIMENSIONS WITH YOUR SALESPERSON

DIMENSION TOLERANCE ± 1/4"

STANDARD FEATURES

- MODEL NUMBER IS PLB/S-6
- CAPACITY IS 5,000 LBS.
- USABLE LIP IS 3 1/2"
- OVERALL LENGTH IS 13 1/4"
- OVERALL WIDTH IS 11 5/8"
- OVERALL HEIGHT IS 72 13/16"
- BAR LENGTH IS 71 7/16"
- ALL STEEL CONSTRUCTION
- (2) - Ø5" X 2" POLY ON STEEL

APPROVAL

I, THE UNDERSIGNED, AGREE THAT THE PRODUCT AS REPRESENTED SATISFIES DESIGN AND DIMENSION REQUIREMENTS. I ALSO ACKNOWLEDGE MY DUTY TO CONFIRM PRODUCT AND INSTALLATION COMPLIANCE WITH ALL APPLICABLE FEDERAL, STATE AND LOCAL REGULATIONS AND STANDARDS.

ANY MODIFIED UNITS ARE NON-RETURNABLE

As drawn As marked

Signed: _____ Date: _____

Printed Name: _____

LEAD TIME WILL START UPON RECEIPT OF SIGNED APPROVAL DRAWING

SPECIAL FEATURES

NONE

FOR INTERNAL USE ONLY PROJECT SIGN OFF	
SALES	
ENG.	
FAB.	
POWER	

DISTRIBUTOR'S NAME: VESTIL MANUFACTURING		P.O.#	X
DRAWN BY: SR		W.O.#	X
DATE: 4/20/09	REFERENCE:	SALES:	X
QUOTED LEAD TIME: X	SCALE: 1:14	FILE NAME:	33-007-005
QUOTE # X			