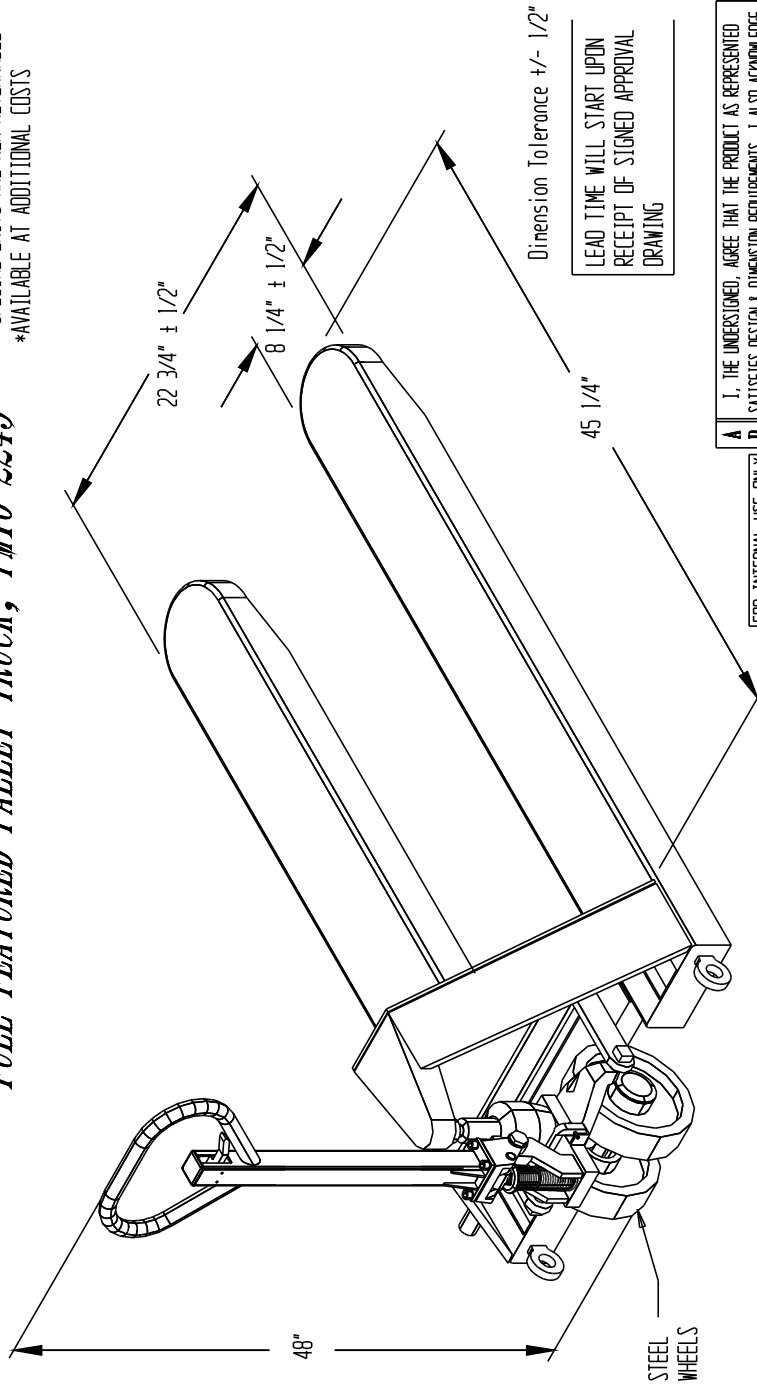


# FULL FEATURED PALLET TRUCK, PM10-2245

\*\*SPECIAL UNITS ARE NON-RETURNABLE  
\*AVAILABLE AT ADDITIONAL COSTS



LEAD TIME WILL START UPON RECEIPT OF SIGNED APPROVAL DRAWING

I, THE UNDERSIGNED, AGREE THAT THE PRODUCT AS REPRESENTED SATISFIES DESIGN & DIMENSION REQUIREMENTS. I ALSO ACKNOWLEDGE MY DUTY TO CONFIRM PRODUCT & INSTALLATION COMPLIANCE WITH ALL APPLICABLE FEDERAL, STATE AND LOCAL REGULATIONS & STANDARDS.

**ALL SPECIAL UNITS ARE NON-RETURNABLE**  
( ) As drawn ( ) As marked

Signed: \_\_\_\_\_ Date: \_\_\_\_\_

LEAD TIME WILL START UPON RECEIPT OF SIGNED APPROVAL DRAWING

FOR INTERNAL USE ONLY	
PROJECT SIGN OFF	
SALES	
ENG.	
FAB.	
POWER	

## STANDARD FEATURES

- MODEL NUMBER: PM10-2245
- OVERALL FORK WIDTH IS 22 3/4 INCHES
- OVERALL FORK LENGTH IS 45 1/4 INCHES
- CAPACITY IS 10,000 LBS
- LOWERED HEIGHT IS 3 1/2 INCHES
- RAISED HEIGHT IS 7 7/8 INCHES

## SPECIAL FEATURES

NONE

\*\*Any additions, deletions or omissions must be corrected on this drawing, as this drawing will be considered all inclusive.\*\*

\*\*\* ALL GRAPHICS PROVIDED ARE FOR REFERENCE ONLY. IF CERTAIN DIMENSIONS ARE CRITICAL, PLEASE VERIFY THOSE DIMENSIONS WITH YOUR SALESPERSON. \*\*\*

DISTRIBUTOR'S NAME: <b>VESTIL MFG</b>	
DATE: -	P.O.#: -
REFERENCE: -	W.O.#: -
QUOTED LEADTIME: -	SALES: -
QUOTE #: -	DRWG./FILE NAME: PM10-2245