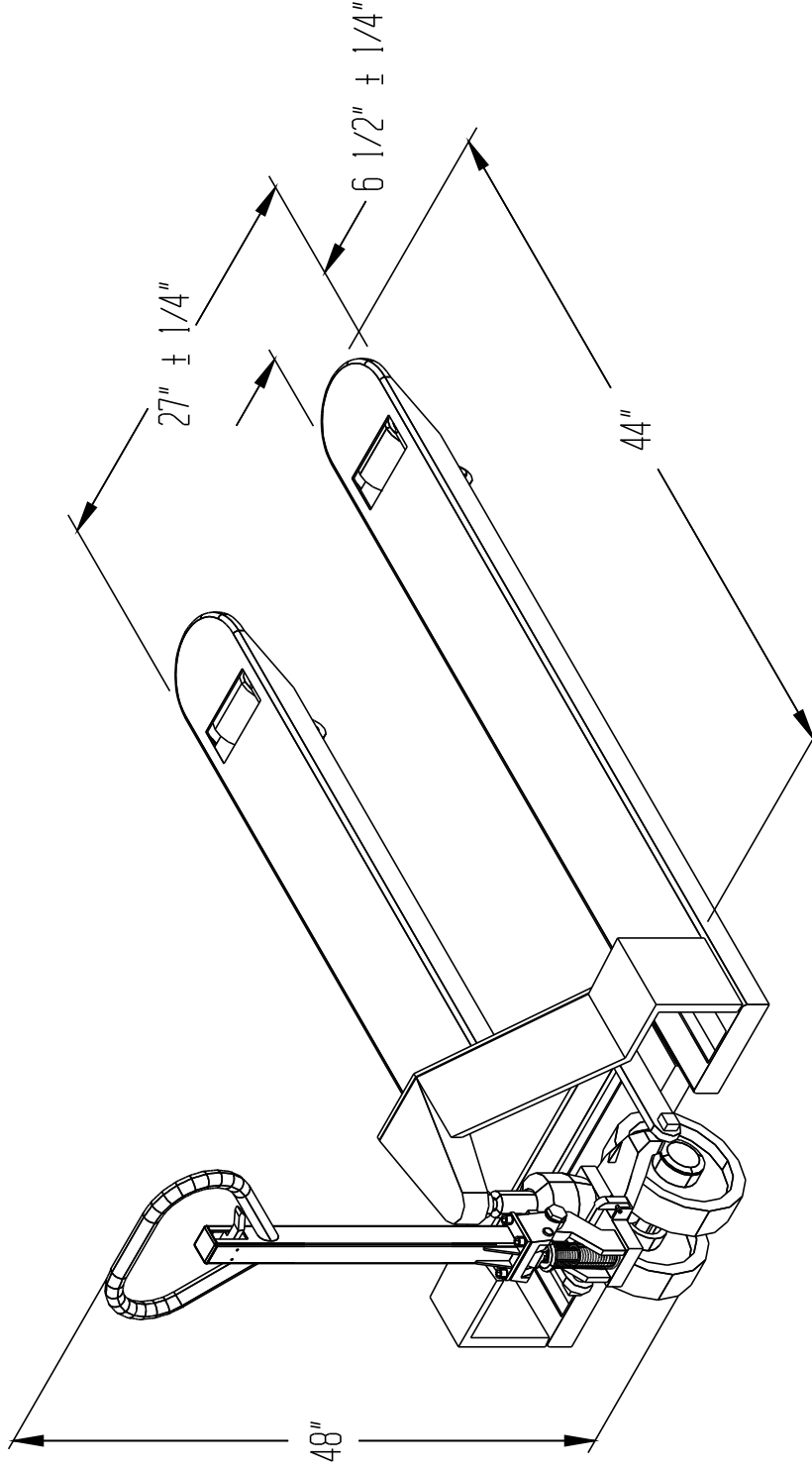


SUPER LOW PROFILE PALLET TRUCK, PM2-2744-SLP



| | |
|---|--|
| FOR INTERNAL USE ONLY PROJECT SIGN OFF | |
| SALES | |
| ENG | |
| FAB. | |
| POWER | |

A P P R O V A L

I, THE UNDERSIGNED, AGREE THAT THE PRODUCT AS REPRESENTED SATISFIES DESIGN & DIMENSION REQUIREMENTS. I ALSO ACKNOWLEDGE MY DUTY TO CONFIRM PRODUCT & INSTALLATION COMPLIANCE WITH ALL APPLICABLE FEDERAL, STATE AND LOCAL REGULATIONS & STANDARDS.

ANY MODIFIED UNITS ARE NON-RETURNABLE

[] As drawn [] As marked

Signed: _____ Date: _____
Printed Name: _____

LEAD TIME WILL START UPON RECEIPT OF SIGNED APPROVAL DRAWING

STANDARD FEATURES

- MODEL NUMBER: PM2-2744-SLP
- OVERALL FORK WIDTH IS 27 ± 1/4 INCHES
- OVERALL FORK LENGTH IS 44 INCHES
- CAPACITY IS 2,200 LBS
- LOWERED HEIGHT IS 1 1/2 INCHES
- RAISED HEIGHT IS 3 3/8 INCHES

SPECIAL FEATURES

NONE

| | | |
|--|------------|------------------|
| DISTRIBUTOR'S NAME: VESTIL MFG | | P.O.#: - |
| DRAWN BY: | | M.D.#: - |
| DATE: 6/22/05 | SALES: - | |
| REFERENCE: - | SCALE: | DRWG./FILE NAME: |
| QUOTED LEADTIME: - | QUOTE #: - | PM2-2744-SLP |

**SPECIAL UNITS ARE NON-RETURNABLE
*AVAILABLE AT ADDITIONAL COSTS