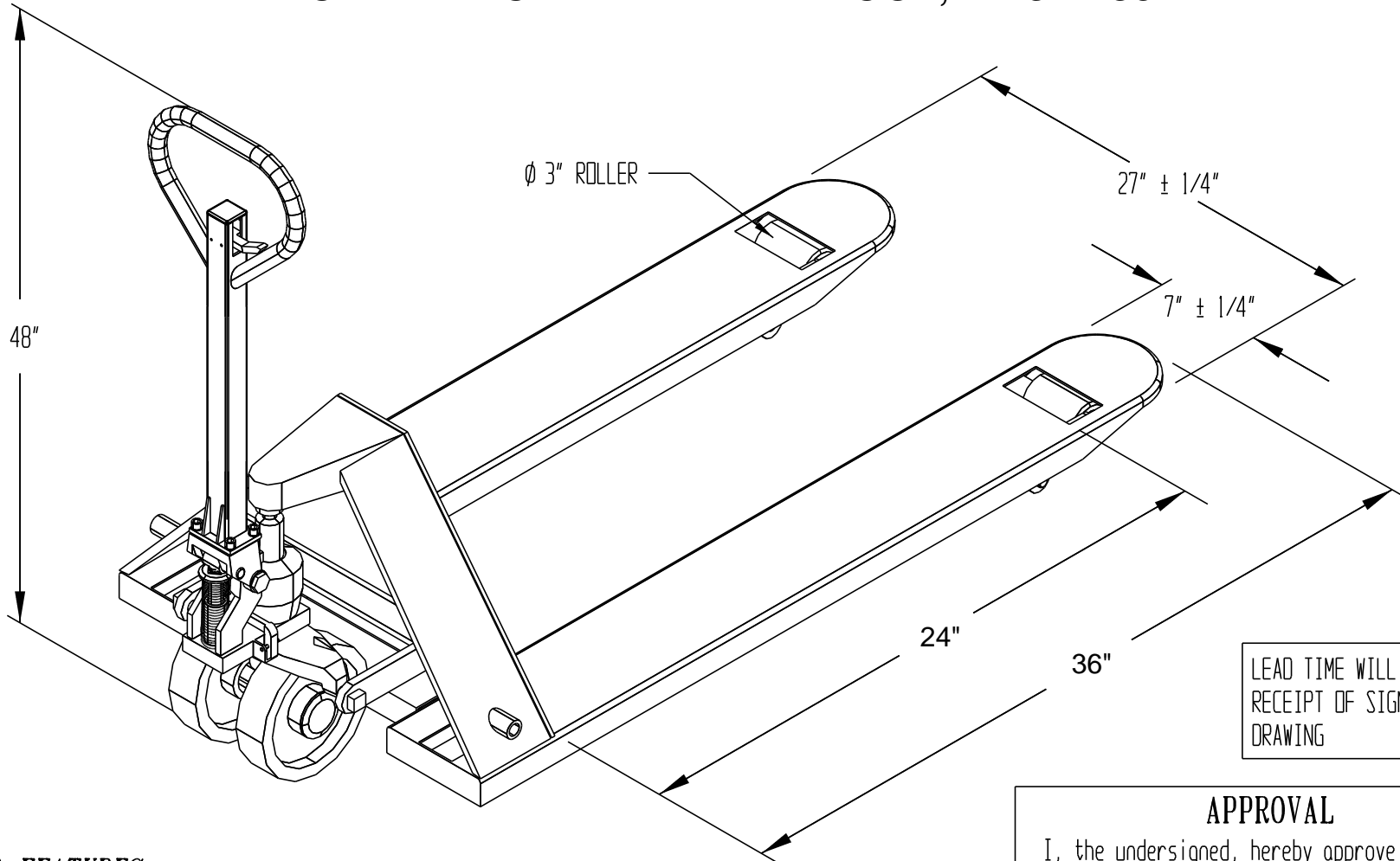


FULL FEATURED PALLET TRUCK, PM5-2736



LEAD TIME WILL START UPON
RECEIPT OF SIGNED APPROVAL
DRAWING

STANDARD FEATURES

MODEL NUMBER: **PM5-2736**
 OVERALL FORK WIDTH IS $27 \pm 1/4$ INCHES
 OVERALL FORK LENGTH IS **36 INCHES**
 CAPACITY IS 5,500 LBS
 LOWERED HEIGHT IS $2 \frac{7}{8}$ INCHES
 RAISED HEIGHT IS $7 \frac{3}{4}$ INCHES

SPECIAL FEATURES

NONE

APPROVAL

I, the undersigned, hereby approve this print
 As drawn As marked
 This includes my approval of design & dimensions.
 Signed: _____
 Date: _____

DISTRIBUTOR'S NAME:		P.O.#: _
VESTIL MANUFACTURING		W.O.#: _
DRAWN BY: _	DATE: _	SALES: _
REFERENCE:		DRWG./FILE NAME:
-		SCALE: NTS

**SPECIAL UNITS ARE NON-RETURNABLE
 *AVAILABLE AT ADDITIONAL COSTS