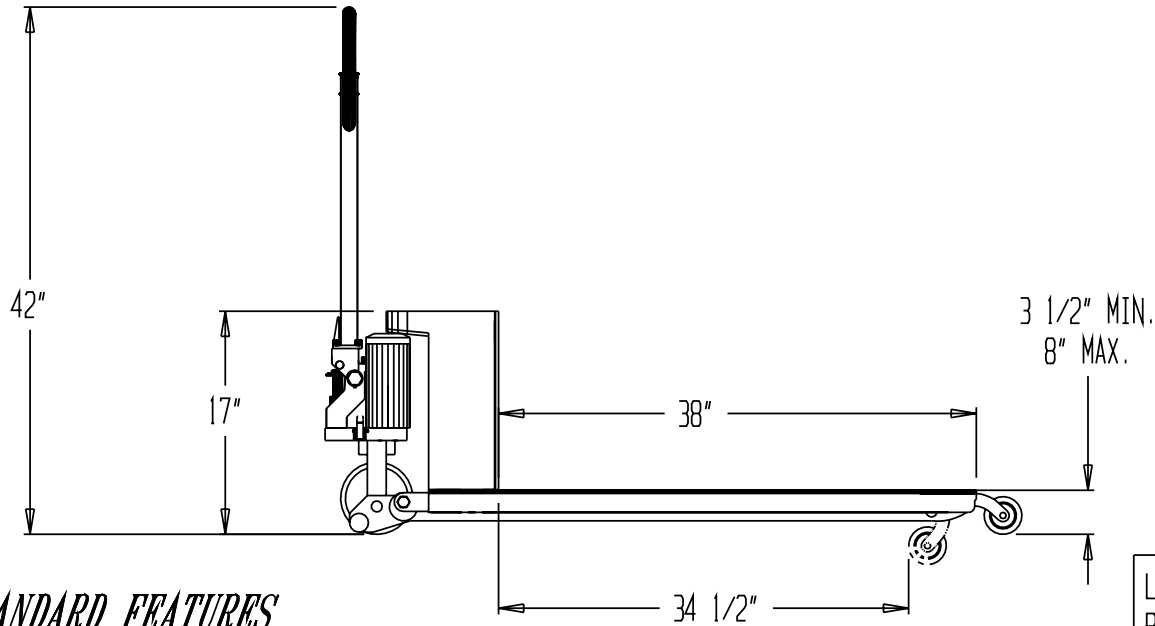
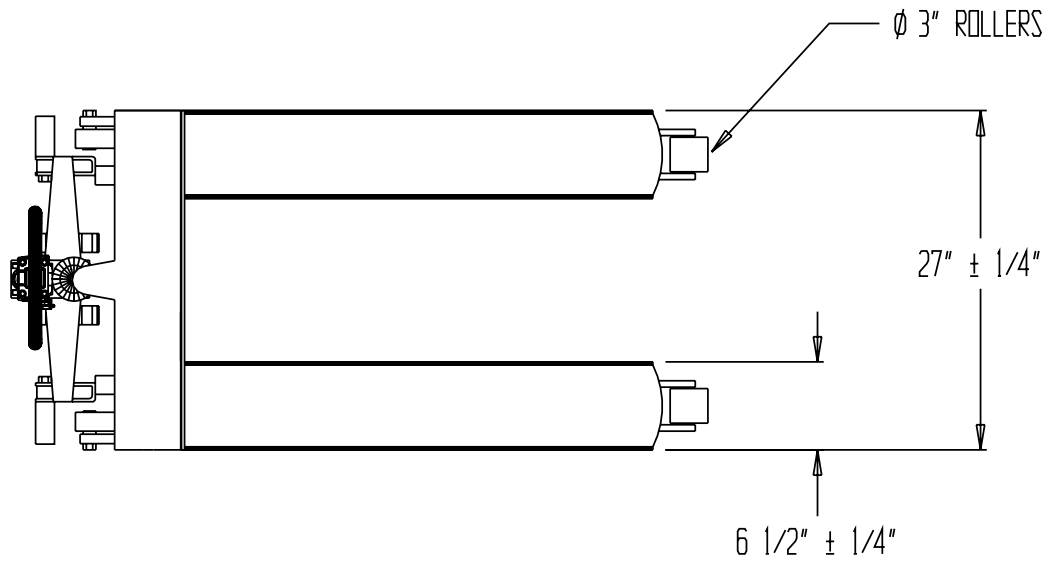


WHEEL NOSE PALLET TRUCK, PM5-2738-WN



STANDARD FEATURES

- MODEL NUMBER: PM5-2738-WN
- CAPACITY: 5,000 LBS.
- OVERALL FORK LENGTH: 38"
- OVERALL FORK WIDTH: 27" ± 1/4"
- INDIVIDUAL FORK WIDTH: 6 1/2" ± 1/4"
- LOWERED FORK HEIGHT: 3 1/2"
- RAISED FORK HEIGHT: 8"

LEAD TIME WILL START UPON
RECEIPT OF SIGNED APPROVAL
DRAWING

APPROVAL

I, the undersigned, hereby approve this print
 As drawn As marked
 This includes my approval of design & dimensions.
 Signed: _____
 Date: _____

SPECIAL FEATURES

NONE

**SPECIAL UNITS ARE NON-RETURNABLE
 *AVAILABLE AT ADDITIONAL COSTS

DISTRIBUTOR'S NAME: VESTIL MANUFACTURING		P.O.#: _
DRAWN BY: _		W.O.#: _
DATE: _	SALES: _	
REFERENCE: _	DRWG./FILE NAME: PM5-2738-WN	
SCALE: NTS		