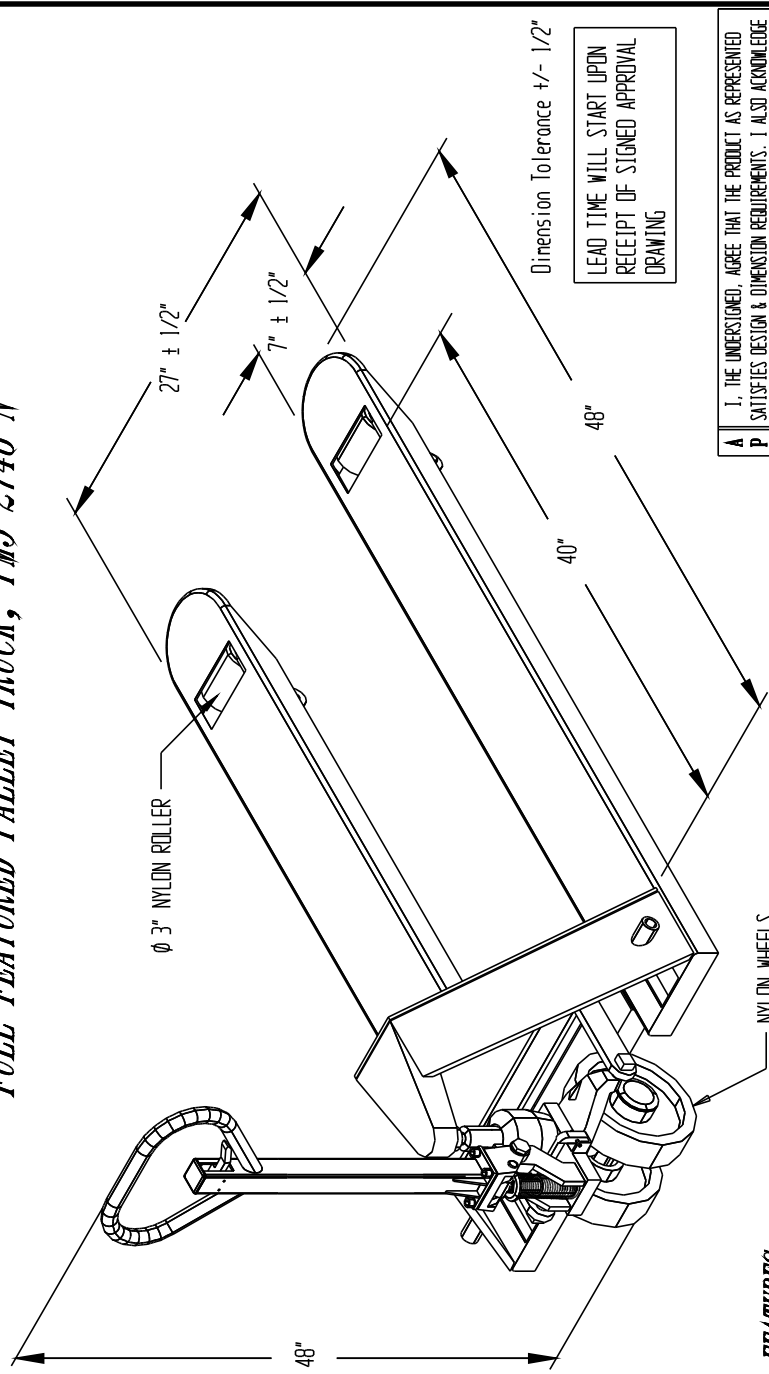


FULL FEATURED PALLET TRUCK, PM5-2748-N



I, THE UNDERSIGNED, AGREE THAT THE PRODUCT AS REPRESENTED SATISFIES DESIGN & DIMENSION REQUIREMENTS. I ALSO ACKNOWLEDGE MY DUTY TO CONFIRM PRODUCT & INSTALLATION COMPLIANCE WITH ALL APPLICABLE FEDERAL, STATE AND LOCAL REGULATIONS & STANDARDS.

ALL SPECIAL UNITS ARE NON-RETURNABLE

() As drawn () As marked

Signed: _____ Date: _____

LEAD TIME WILL START UPON RECEIPT OF SIGNED APPROVAL DRAWING

A P P R O V A L

STANDARD FEATURES

- MODEL NUMBER: PM5-2748-N
- OVERALL FORK WIDTH IS 27 INCHES
- OVERALL FORK LENGTH IS 48 INCHES
- CAPACITY IS 5,500 LBS
- LOWERED HEIGHT IS 2 7/8 INCHES
- RAISED HEIGHT IS 7 3/4 INCHES
- NYLON WHEELS & ROLLERS

SPECIAL FEATURES

NONE

FOR INTERNAL USE ONLY	DISTRIBUTOR'S NAME:
PROJECT SIGN OFF	VESTIL MFG
SALES	DATE: -
ENG	REFERENCE: -
FAB.	QUOTE #:
POWER	

P.O.#: -	DRG./FILE NAME: PM5-2748-N
W.D.#: -	
SALES: -	
SCALE: -	
QUOTE #: -	

**SPECIAL UNITS ARE NON-RETURNABLE
*AVAILABLE AT ADDITIONAL COSTS