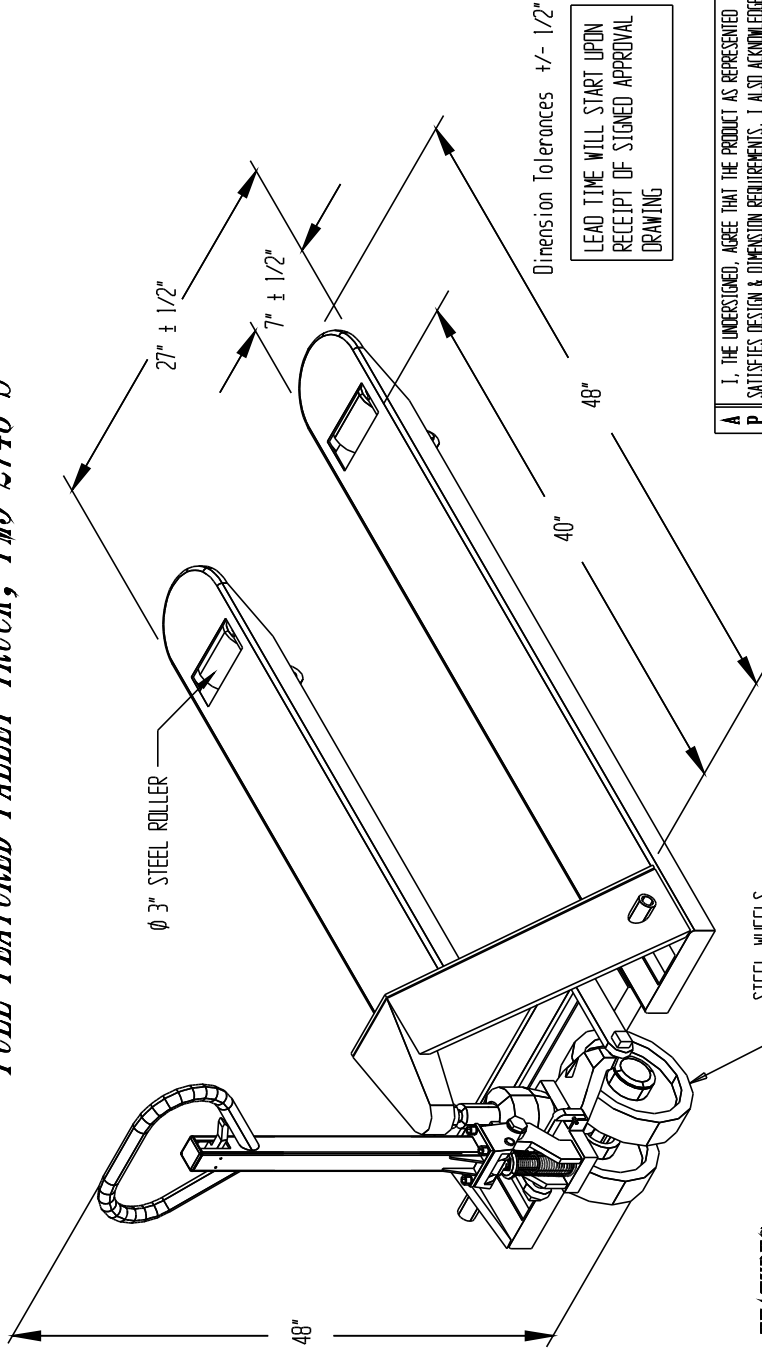


FULL FEATURED PALLET TRUCK, PM5-2748-S



Dimension Tolerances +/- 1/2"
 LEAD TIME WILL START UPON RECEIPT OF SIGNED APPROVAL DRAWING

STANDARD FEATURES

- MODEL NUMBER: PM5-2748-S
- OVERALL FORK WIDTH IS 27 INCHES
- OVERALL FORK LENGTH IS 48 INCHES
- CAPACITY IS 5,500 LBS
- LOWERED HEIGHT IS 2 7/8 INCHES
- RAISED HEIGHT IS 7 3/4 INCHES
- STEEL WHEELS & ROLLERS

**SPECIAL UNITS ARE NON-RETURNABLE
 *AVAILABLE AT ADDITIONAL COSTS

SPECIAL FEATURES

NONE

I, THE UNDERSIGNED, AGREE THAT THE PRODUCT AS REPRESENTED SATISFIES DESIGN & DIMENSION REQUIREMENTS. I ALSO ACKNOWLEDGE MY DUTY TO CONFORM PRODUCT & INSTALLATION COMPLIANCE WITH ALL APPLICABLE FEDERAL, STATE AND LOCAL REGULATIONS & STANDARDS. **ALL SPECIAL UNITS ARE NON-RETURNABLE**

() As drawn () As marked

Signed: _____ Date: _____

LEAD TIME WILL START UPON RECEIPT OF SIGNED APPROVAL DRAWING

FOR INTERNAL USE ONLY PROJECT SIGN OFF		DISTRIBUTOR'S NAME: VESTIL MFG	
SALES	ENG	DATE: -	P.O.#: -
FAB.	POWER	REFERENCE: -	W.O.#: -
		SCALE: -	SALES: -
		QUOTED LEADTIME: -	DRWG./FILE NAME: PM5-2748-S
		QUOTE #: -	