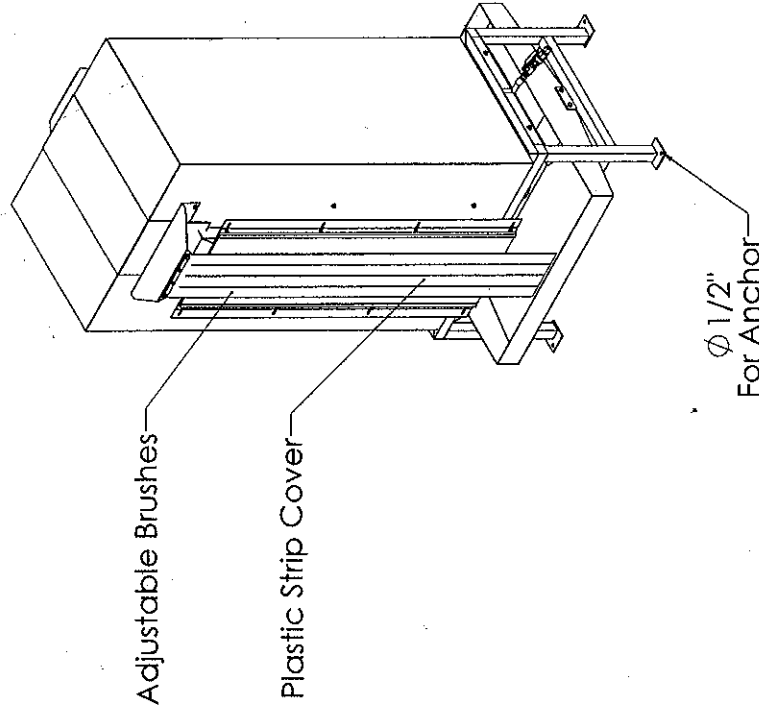
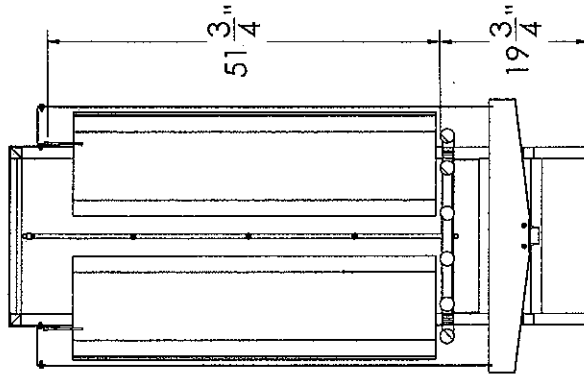
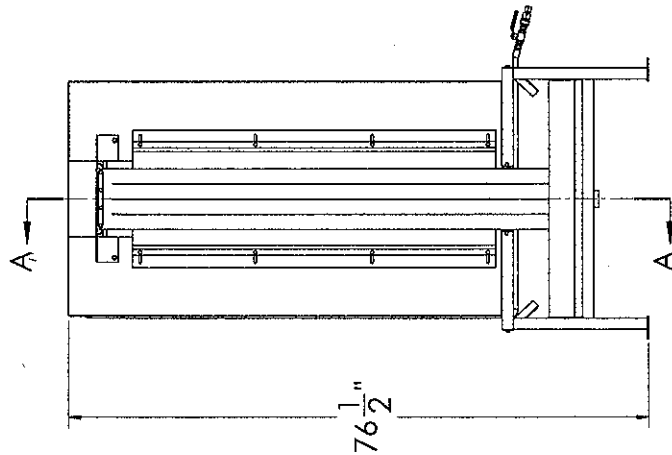
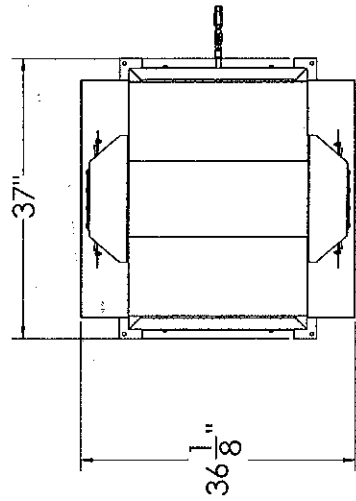


PALLET WASHING CABINET- PPW-748

APPROX WEIGHT: lbs. DOES NOT INCLUDE WEIGHT OF POWER OR PACKAGING!!!
 *** ANY ADDITIONS, DELETIONS, OR OMISSIONS MUST BE CORRECTED ON THIS DRAWING AS THIS DRAWING WILL BE CONSIDERED ALL INCLUSIVE ***
 ALL GRAPHICS PROVIDED ARE FOR REFERENCE ONLY. IF CERTAIN DIMENSIONS ARE CRITICAL PLEASE VERIFY THOSE DIMENSIONS WITH YOUR SALESPERSON



DIMENSION TOLERANCE ± 1/4"

I, THE UNDERSIGNED, AGREE THAT THE PRODUCT AS REPRESENTED SATISFIES DESIGN AND DIMENSION REQUIREMENTS. I ALSO ACKNOWLEDGE MY DUTY TO CONFIRM PRODUCT AND INSTALLATION COMPLIANCE WITH ALL APPLICABLE FEDERAL, STATE AND LOCAL REGULATIONS AND STANDARDS.

ALL SPECIAL UNITS ARE NON-RETURNABLE
 As drawn As marked

A P P R O V A L

Signed: _____

Date: _____

LEAD TIME WILL START UPON RECEIPT OF SIGNED APPROVAL DRAWING

DISTRIBUTOR'S NAME:

VESTIL MANUFACTURING

DRAWN BY: CA DATE: 1/10/2012

REFERENCE: X SCALE: 1:48

QUOTE # _____

SPECIAL FEATURES
 NONE

STANDARD FEATURES

- MODEL NUMBER IS PPW-748
- OVERALL WIDTH IS 36 1/8"
- OVERALL LENGTH IS 37"
- OPENING HEIGHT IS 76 1/2"
- RESERVOIR IS 10 GAL

PPW-748