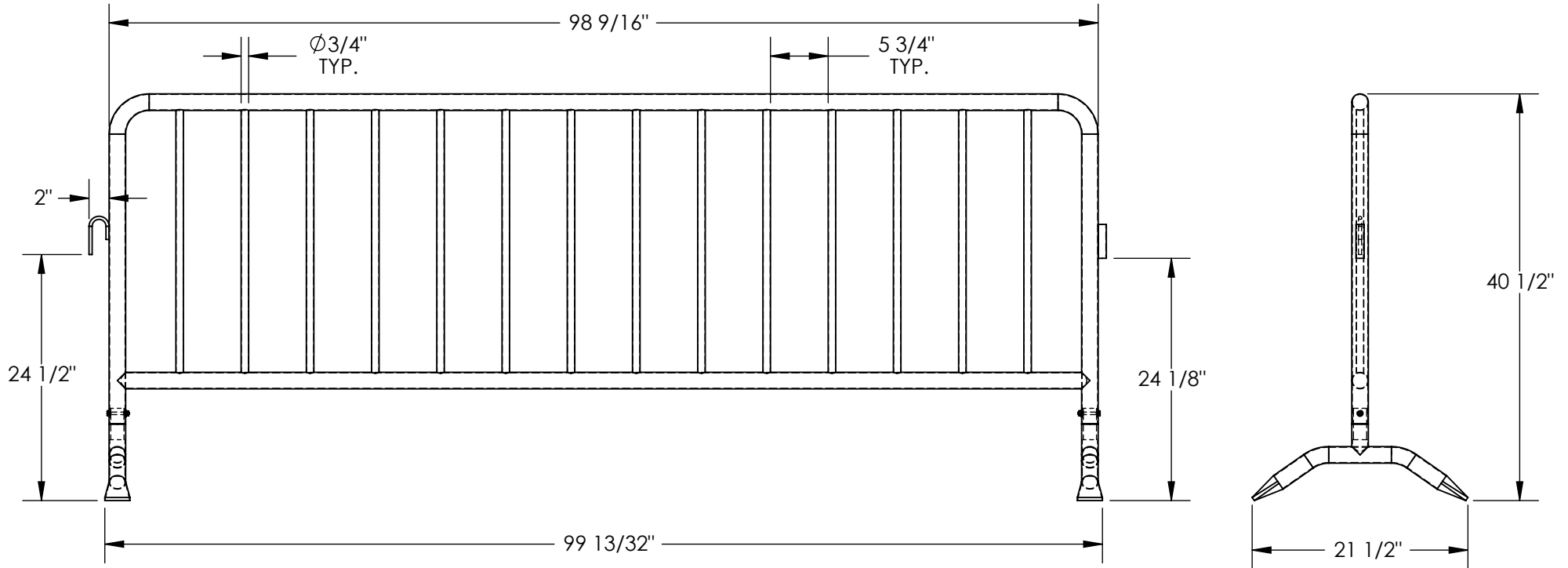


# HEAVY DUTY INDUSTRIAL STAINLESS STEEL INTERLOCKING BARRIER - PRAIL-102-HD-SS

APPROX WEIGHT: 53 lbs.  
DOES NOT INCLUDE WEIGHT OF POWER OR PACKAGING!!!

\*\*\* ANY ADDITIONS, DELETIONS, OR OMISSIONS MUST BE CORRECTED ON THIS DRAWING AS THIS DRAWING WILL BE CONSIDERED ALL INCLUSIVE \*\*\*  
ALL GRAPHICS PROVIDED ARE FOR REFERENCE ONLY. IF CERTAIN DIMENSIONS ARE CRITICAL PLEASE VERIFY THOSE DIMENSIONS WITH YOUR SALESPERSON



## STANDARD FEATURES

MODEL NUMBER IS PRAIL-102-HD-SS  
 OVERALL WIDTH IS: 21 1/2"  
 OVERALL LENGTH IS: 99 13/32"  
 OVERALL HEIGHT IS: 40 1/2"  
 DISTANCE BETWEEN VERTICAL BARS IS: 5 3/4"  
 INCLUDES CONNECTORS TO ATTACH MULTIPLE UNITS TOGETHER  
 INCLUDES TWO CURVED FEET  
 FEET ARE REMOVABLE FOR STORAGE AND SHIPPING  
 STAINLESS STEEL CONSTRUCTION

## SPECIAL FEATURES

NONE

<b>A P P R O V A L</b>	I, THE UNDERSIGNED, AGREE THAT THE PRODUCT AS REPRESENTED SATISFIES DESIGN AND DIMENSION REQUIREMENTS. I ALSO ACKNOWLEDGE MY DUTY TO CONFIRM PRODUCT AND INSTALLATION COMPLIANCE WITH ALL APPLICABLE FEDERAL, STATE AND LOCAL REGULATIONS AND STANDARDS.	
	<b>ALL SPECIAL UNITS ARE NON-RETURNABLE</b>	
	[ ] As drawn [ ] As marked	
Signed: _____		Date: _____
LEAD TIME WILL START UPON RECEIPT OF SIGNED APPROVAL DRAWING		

DISTRIBUTOR'S NAME:		P.O.#
VESTIL MANUFACTURING		X
DRAWN BY: T. MOORE		W.O.#
DATE: 05/27/10		X
REFERENCE: X	SCALE: 1:15	SALES: X
QUOTED LEAD TIME: X	QUOTE # X	FILE NAME: 23-007-374