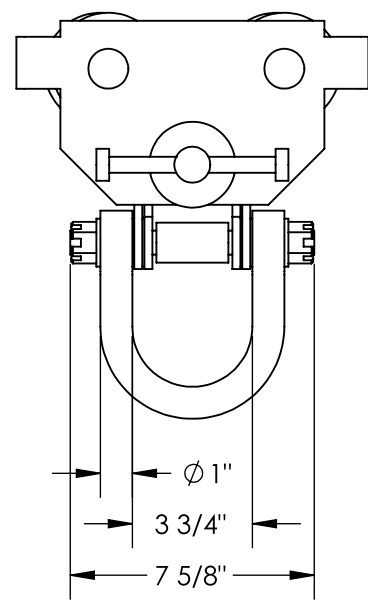
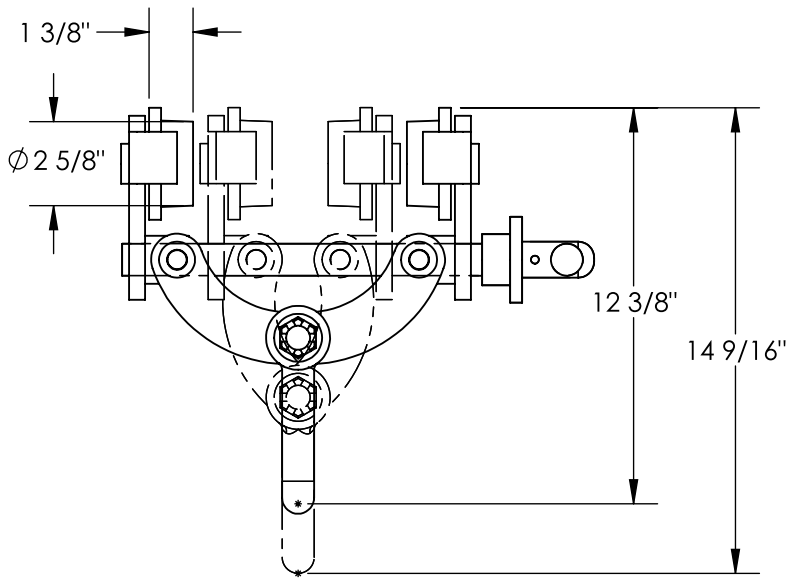
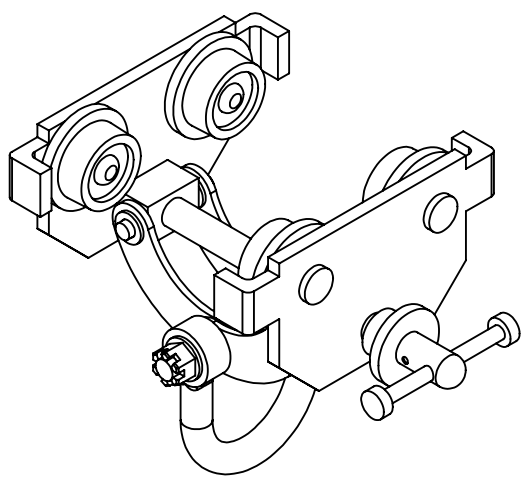
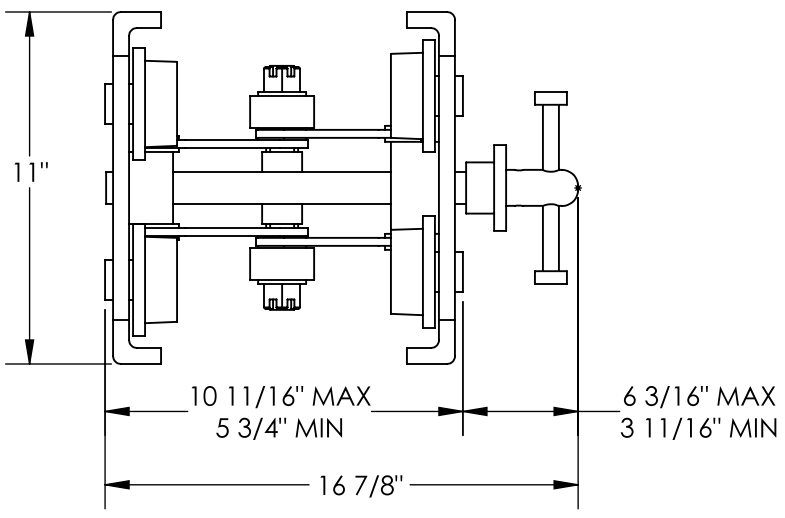


QUICK INSTALL MANUAL TROLLEY - QIT-6

APPROX WEIGHT: 40.39 lbs.
 DOES NOT INCLUDE WEIGHT OF POWER OR PACKAGING!!!

ANY ADDITIONS, DELETIONS, OR OMISSIONS MUST BE CORRECTED ON THIS DRAWING AS THIS DRAWING WILL BE CONSIDERED ALL INCLUSIVE



DIMENSION TOLERANCE $\pm 1/4''$

ALL GRAPHICS PROVIDED ARE FOR REFERENCE ONLY. IF CERTAIN DIMENSIONS ARE CRITICAL PLEASE VERIFY THOSE DIMENSIONS WITH YOUR SALESPERSON

STANDARD FEATURES

- MODEL NUMBER IS QIT-6
- FITS BEAM FLANGE OF 3" TO 7 1/2"
- HEADROOM IS 10 3/8"
- OVERALL WIDTH IS 16 7/8"
- OVERALL LENGTH IS 11"
- OVERALL HEIGHT IS 14 9/16" MAX TO 12 3/8" MIN
- UNIFORM CAPACITY IS 6,000 LBS.
- STEEL CONSTRUCTION WITH PAINTED FINISH
- 3 3/4" SHACKLE

SPECIAL FEATURES

NONE

NOTE:

CAN BE USED ON S, H, W, & M TYPE I-BEAMS

FOR INTERNAL USE ONLY
 PROJECT SIGN OFF

| | |
|-------|--|
| SALES | |
| ENG. | |
| FAB. | |
| POWER | |

A P P R O V A L

I, THE UNDERSIGNED, AGREE THAT THE PRODUCT AS REPRESENTED SATISFIES DESIGN AND DIMENSION REQUIREMENTS. I ALSO ACKNOWLEDGE MY DUTY TO CONFIRM PRODUCT AND INSTALLATION COMPLIANCE WITH ALL APPLICABLE FEDERAL, STATE AND LOCAL REGULATIONS AND STANDARDS.

ANY MODIFIED UNITS ARE NON-RETURNABLE

[] As drawn [] As marked

Signed: _____ Date: _____

Printed Name: _____

LEAD TIME WILL START UPON RECEIPT OF SIGNED APPROVAL DRAWING

| | | |
|-----------------------------|------------|------------|
| DISTRIBUTOR'S NAME: | | P.O.# |
| VESTIL MANUFACTURING | | X |
| | | W.O.# |
| DRAWN BY: WHR | | X |
| DATE: 11/7/11 | | SALES: X |
| REFERENCE: X | SCALE: 1:6 | FILE NAME: |
| QUOTED LEAD TIME: X | QUOTE # X | 30-007-048 |