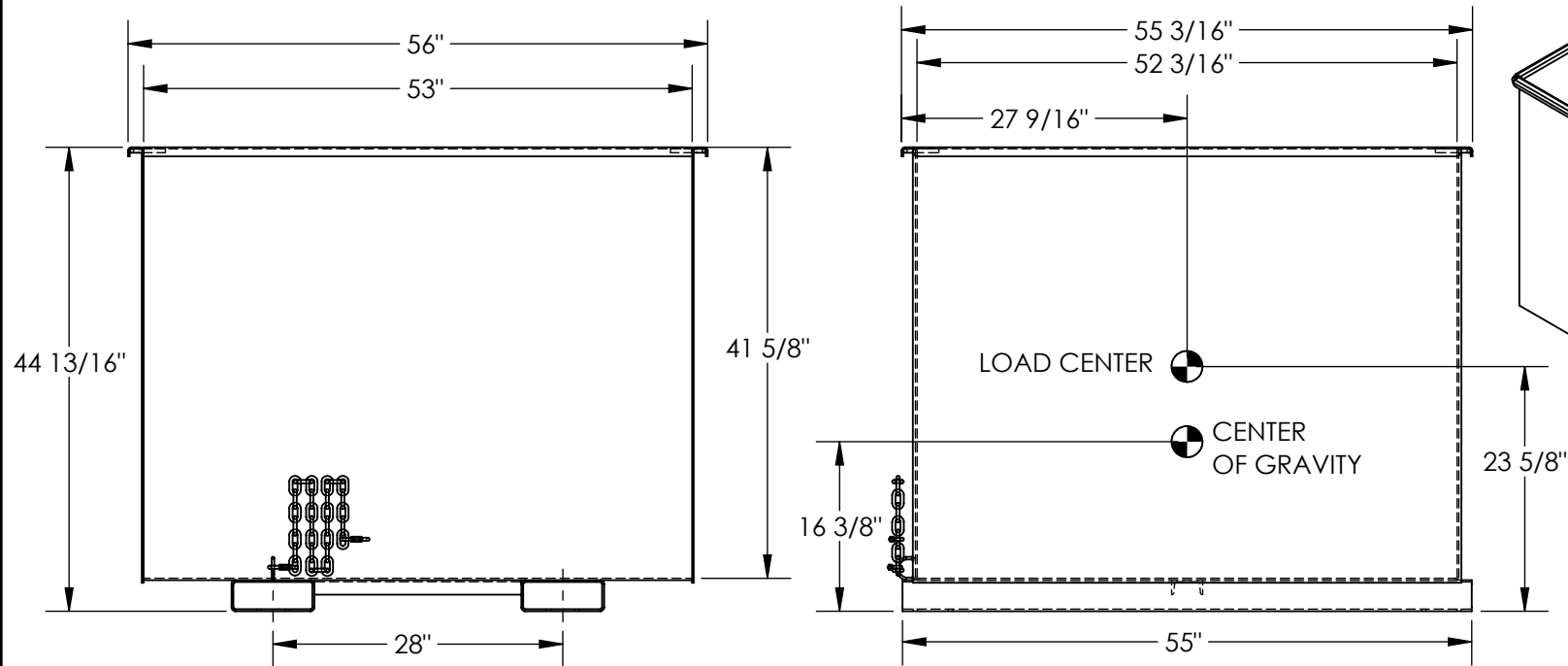


ROTATOR BOX HOPPER - R-250-HD-BL

APPROX WEIGHT: 692 lbs.
 DOES NOT INCLUDE WEIGHT OF POWER OR PACKAGING!!!

*** ANY ADDITIONS, DELETIONS, OR OMISSIONS MUST BE CORRECTED ON THIS DRAWING AS THIS DRAWING WILL BE CONSIDERED ALL INCLUSIVE ***

ALL GRAPHICS PROVIDED ARE FOR REFERENCE ONLY. IF CERTAIN DIMENSIONS ARE CRITICAL PLEASE VERIFY THOSE DIMENSIONS WITH YOUR SALESPERSON



STANDARD FEATURES

MODEL NUMBER IS R-250-HD-BL
 VOLUME IS 2 1/2 CU. YDS.
 OVERALL WIDTH IS 56"
 INSIDE WIDTH IS 53"
 OVERALL LENGTH IS 55 3/16"
 INSIDE LENGTH IS 52 3/16"
 OVERALL HEIGHT IS 44 13/16"
 INSIDE HEIGHT IS 41 5/8"
 MAX CAPACITY IS 6,000 LBS.
 TOUGH BAKED IN POWDER COATED BLUE FINISH

APPROX. WEIGHT / LOST LOAD = 692 LBS.
 MINIMUM EFFECTIVE THICKNESS = LESS THAN 1"
 NEVER EXCEED LOAD CENTER
 RATING PER FORKTRUCK
 MANUFACTURERS GUIDELINES.
 DO NOT USE THIS FORK TRUCK
 ATTACHMENT IF LOAD WILL
 EXCEED FORK TRUCK MANUFACTURER'S
 LOAD CENTER RATING

DIMENSION TOLERANCE ± 1/4"

SPECIAL FEATURES

NONE

APPROVAL	I, THE UNDERSIGNED, AGREE THAT THE PRODUCT AS REPRESENTED SATISFIES DESIGN AND DIMENSION REQUIREMENTS. I ALSO ACKNOWLEDGE MY DUTY TO CONFIRM PRODUCT AND INSTALLATION COMPLIANCE WITH ALL APPLICABLE FEDERAL, STATE AND LOCAL REGULATIONS AND STANDARDS.	
	UNITS REQUIRING APPROVAL DRAWINGS OR MODIFIED ARE NON-RETURNABLE	
	<input type="checkbox"/> As drawn	<input type="checkbox"/> As marked
	Signed: _____ Date: _____	
	Printed Name: _____	
	LEAD TIME WILL START UPON RECEIPT OF SIGNED APPROVAL DRAWING	

DISTRIBUTOR'S NAME:		P.O.#
VESTIL MANUFACTURING		X
DRAWN BY: JWW		W.O.#
DATE: 7/16/2021		X
REFERENCE: X	SCALE: 1:18	SALES: X
QUOTED LEAD TIME: X	QUOTE # X	FILE NAME:
		37-007-161