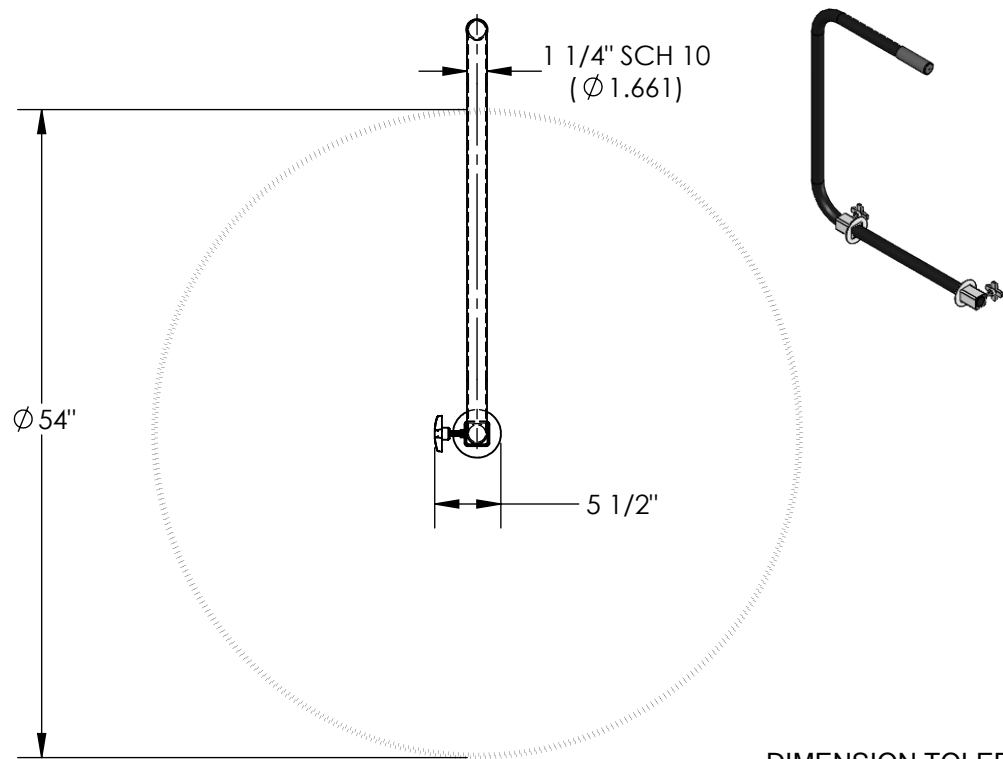
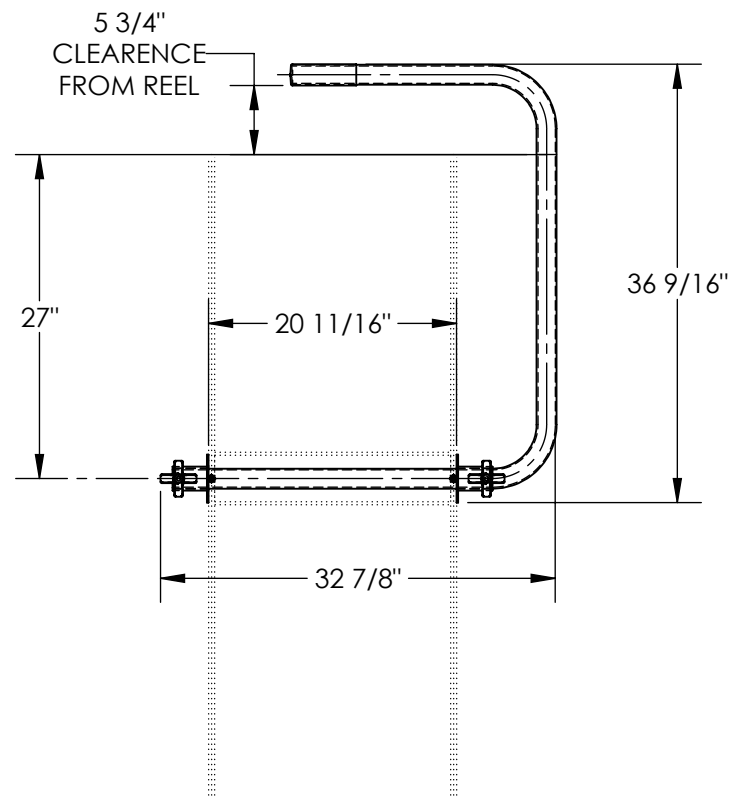


# REEL HANDLE - RMH-C-5020-3

APPROX WEIGHT: 16.03 lbs.  
 DOES NOT INCLUDE WEIGHT OF POWER OR PACKAGING!!!

\*\*\* ANY ADDITIONS, DELETIONS, OR OMISSIONS MUST BE CORRECTED ON THIS DRAWING AS THIS DRAWING WILL BE CONSIDERED ALL INCLUSIVE \*\*\*

ALL GRAPHICS PROVIDED ARE FOR REFERENCE ONLY. IF CERTAIN DIMENSIONS ARE CRITICAL PLEASE VERIFY THOSE DIMENSIONS WITH YOUR SALESPERSON



DIMENSION TOLERANCE ± 1/4"

## STANDARD FEATURES

MODEL NUMBER IS RMH-C-5020-3  
 OVERALL WIDTH IS 5 1/2"  
 OVERALL LENGTH IS 32 7/8"  
 OVERALL HEIGHT IS 36 9/16"  
 MAXIMUM REEL WIDTH IS 20 11/16"  
 MAXIMUM REEL HEIGHT IS 54"

CORE OF REEL:  
 MIN. Ø 1 11/16"  
 MAX. Ø 3 7/8"

TOUGH BAKED IN POWDER COAT BLUE FINISH - HANDLE  
 TOUGH BAKED IN POWDER COAT YELLOW FINISH - CLAMPS

## SPECIAL FEATURES

NONE

<b>APPROVAL</b>	I, THE UNDERSIGNED, AGREE THAT THE PRODUCT AS REPRESENTED SATISFIES DESIGN AND DIMENSION REQUIREMENTS. I ALSO ACKNOWLEDGE MY DUTY TO CONFIRM PRODUCT AND INSTALLATION COMPLIANCE WITH ALL APPLICABLE FEDERAL, STATE AND LOCAL REGULATIONS AND STANDARDS.	
	<b>UNITS REQUIRING APPROVAL DRAWINGS OR MODIFIED ARE NON-RETURNABLE</b>	
	[ ] As drawn      [ ] As marked	
	Signed: _____	Date: _____
	Printed Name: _____	
<b>LEAD TIME WILL START UPON RECEIPT OF SIGNED APPROVAL DRAWING</b>		

DISTRIBUTOR'S NAME:		P.O.#
<b>VESTIL MANUFACTURING</b>		X
		W.O.#
DRAWN BY: TAW		X
DATE: 9/8/2016		SALES:
REFERENCE: X		X
SCALE: 1:16		FILE NAME:
QUOTED LEAD TIME: X		33-007-329
QUOTE # X		