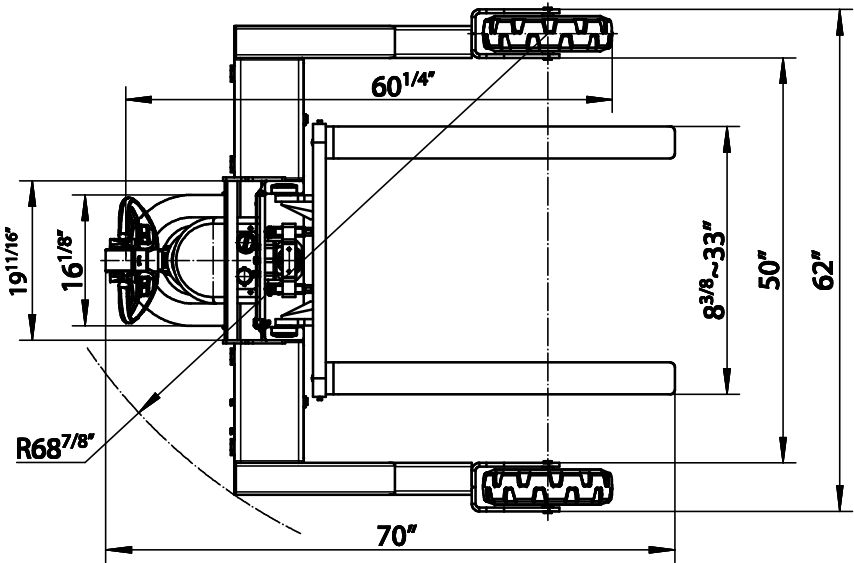
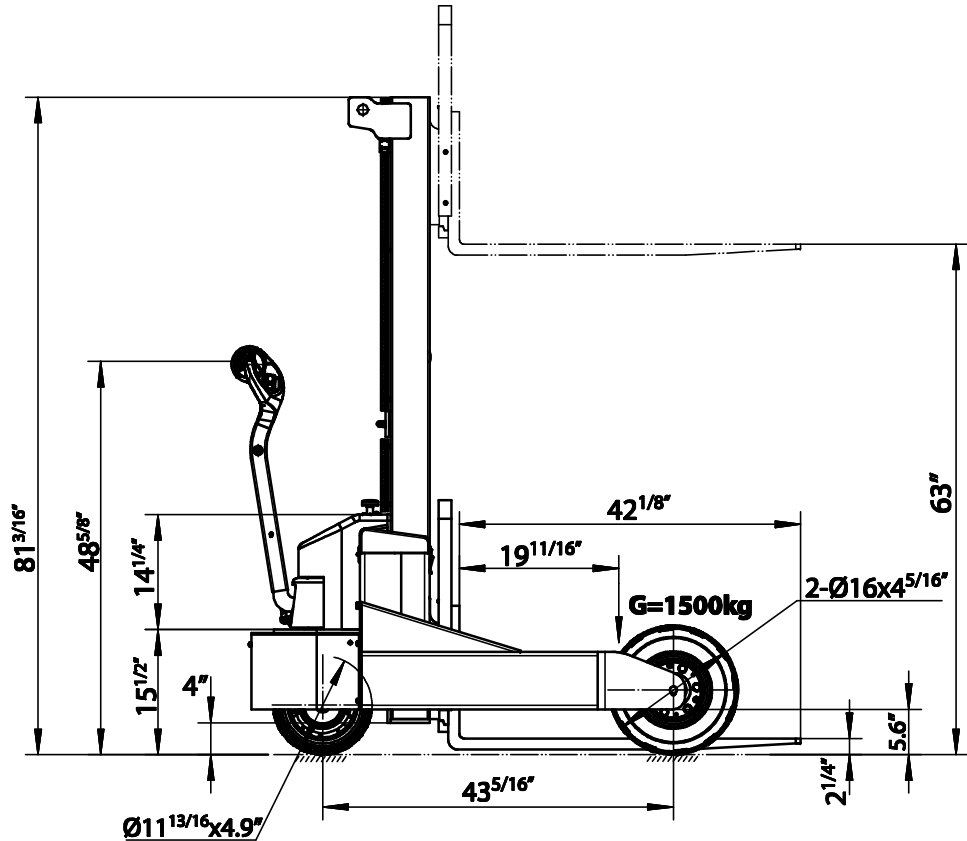


ROUGH TERRAIN STACKER - RT-S-62-AF

*** ANY ADDITIONS, DELETIONS, OR OMISSIONS MUST BE CORRECTED ON THIS DRAWING AS THIS DRAWING WILL BE CONSIDERED ALL INCLUSIVE ***
 ALL GRAPHICS PROVIDED ARE FOR REFERENCE ONLY. IF CERTAIN DIMENSIONS ARE CRITICAL PLEASE VERIFY THOSE DIMENSIONS WITH YOUR SALESPERSON



DIMENSION TOLERANCE ± 1/2"

SPECIFICATIONS

MODEL NO.: RT-S-62-AF
 CAPACITY: 3,000 LBS
 LIFT HEIGHT: 63"
 LOWERED HEIGHT: 2 1/4"
 DRIVE MOTOR AC16/1.5KW
 LIFT MOTOR: 24V/2.0KW
 BATTERY: 2x12V/105Ah
 BATTERY CHARGER: 24V/12amp
 TRAVEL SPEED W/O LOAD: 2.1m/h
 TRAVEL SPED W/ LOAD: 1.5m/h
 GRADEABILITY: 0°
 DURABLE BAKED IN POWDER COAT BLACK & YELLOW FINISH

APPROVAL

I, THE UNDERSIGNED, AGREE THAT THE PRODUCT AS REPRESENTED SATISFIES DESIGN AND DIMENSION REQUIREMENTS. I ALSO ACKNOWLEDGE MY DUTY TO CONFIRM PRODUCT AND INSTALLATION COMPLIANCE WITH ALL APPLICABLE FEDERAL, STATE AND LOCAL REGULATIONS AND STANDARDS.
UNITS REQUIRING APPROVAL DRAWINGS OR MODIFIED ARE NON-RETURNABLE

[] As drawn [] As marked

Signed: _____ Date: _____

Printed Name: _____

LEAD TIME WILL START UPON RECEIPT OF SIGNED APPROVAL DRAWING

DISTRIBUTOR'S NAME:		P.O.#
VESTIL MANUFACTURING		X
DRAWN BY: TM		W.O.#
DATE: 6/2/2020		X
REFERENCE: X	SCALE: NTS	SALES: X
QUOTED LEAD TIME: X	QUOTE #	FILE NAME:
	X	RT-S-62-AF