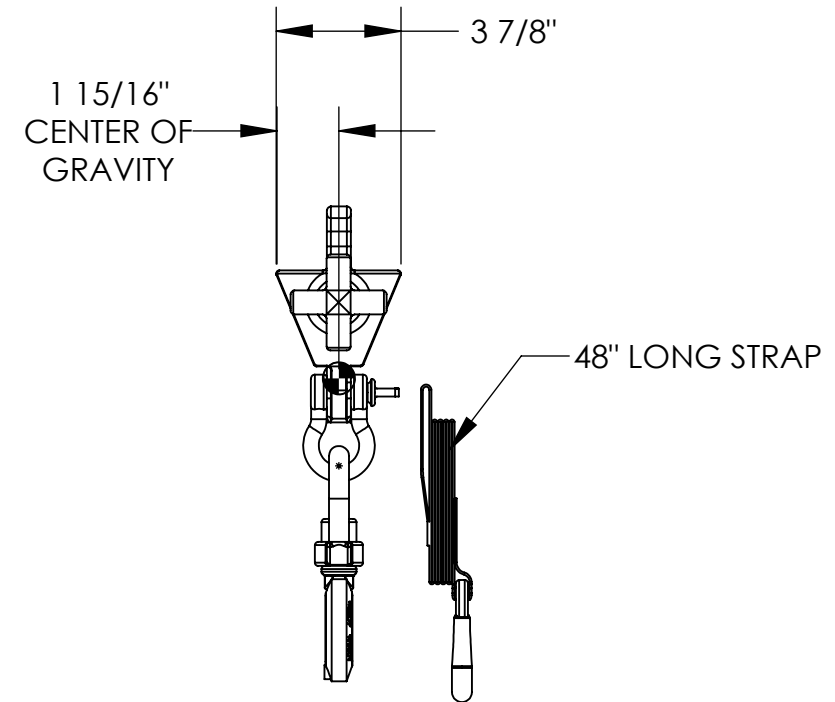
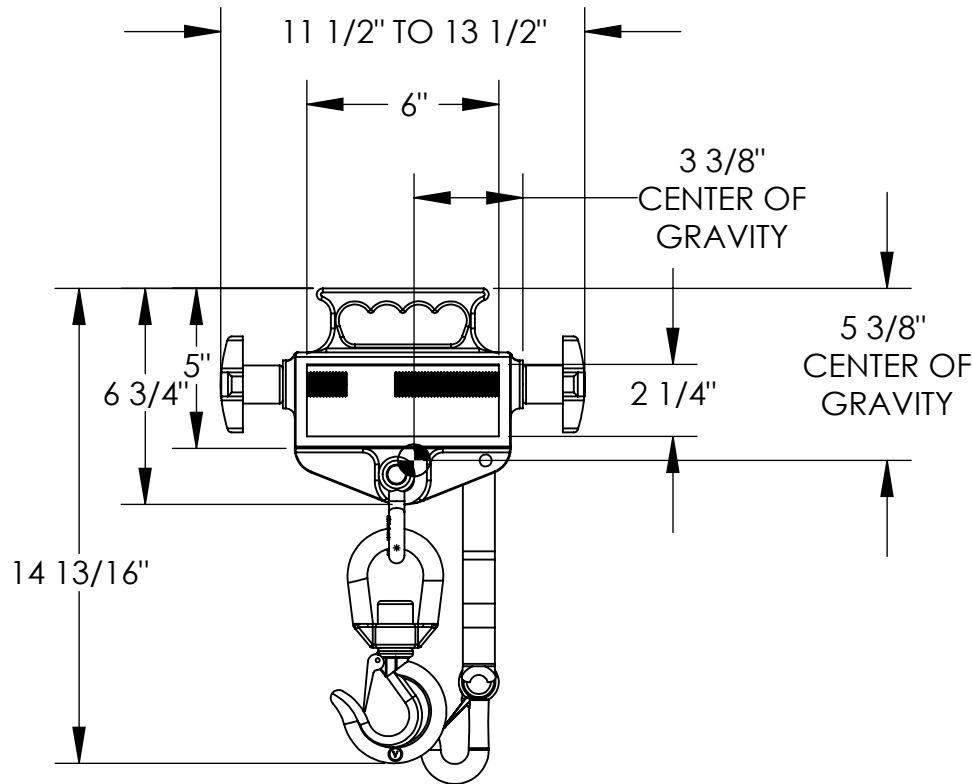


HOISTING HOOKS SINGLE SWIVEL - S-FORK-4/6-SL

APPROX WEIGHT: 14.26 lbs.
DOES NOT INCLUDE WEIGHT OF POWER OR PACKAGING!!!

*** ANY ADDITIONS, DELETIONS, OR OMISSIONS MUST BE CORRECTED ON THIS DRAWING AS THIS DRAWING WILL BE CONSIDERED ALL INCLUSIVE ***

ALL GRAPHICS PROVIDED ARE FOR REFERENCE ONLY. IF CERTAIN DIMENSIONS ARE CRITICAL PLEASE VERIFY THOSE DIMENSIONS WITH YOUR SALESPERSON



DIMENSION TOLERANCE $\pm 1/2$ "

STANDARD FEATURES

- MODEL NUMBER IS: S-FORK-4/6-SL
- CAPACITY: 4,000LBS
- OVERALL DEPTH IS: 3 7/8"
- BODY HEIGHT: 6 3/4" (EXCLUDES SHACKLE AND HOOK)
- OVERALL LENGTH: 14 13/16"
- USABLE FORK POCKET: 2 1/4" X 6"
- SWIVEL HOOK
- ADJUSTABLE WIDTH: 11 1/2" - 13 1/2"
- APPROX. WEIGHT / LOST LOAD = 15 LBS. (APPROX)
- MINIMUM EFFECTIVE THICKNESS = ADJUSTABLE
- HOT DIPPED GALVANIZED STEEL

SPECIAL FEATURES

NONE

-NEVER EXCEED LOAD CENTER RATING PER FORK TRUCK MANUFACTURER'S GUIDELINES. DO NOT USE THESE FORK EXTENSIONS IF LOAD WILL EXCEED FORK TRUCK MANUFACTURER'S LOAD CENTER RATING.

APPROVAL

I, THE UNDERSIGNED, AGREE THAT THE PRODUCT AS REPRESENTED SATISFIES DESIGN AND DIMENSION REQUIREMENTS. I ALSO ACKNOWLEDGE MY DUTY TO CONFIRM PRODUCT AND INSTALLATION COMPLIANCE WITH ALL APPLICABLE FEDERAL, STATE AND LOCAL REGULATIONS AND STANDARDS.
UNITS REQUIRING APPROVAL DRAWINGS OR MODIFIED ARE NON-RETURNABLE
[] As drawn [] As marked

Signed: _____ Date: _____

Printed Name: _____

LEAD TIME WILL START UPON RECEIPT OF SIGNED APPROVAL DRAWING

DISTRIBUTOR'S NAME:		P.O.#
VESTIL MANUFACTURING		X
DRAWN BY: WHR		DATE: 12/22/11
REFERENCE: X		SALES: X
QUOTED LEAD TIME: X		SCALE: 1:6
QUOTE # X		FILE NAME: 08-007-142