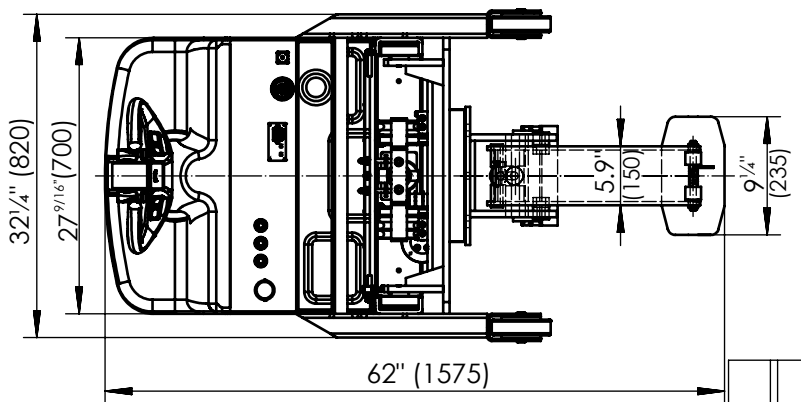
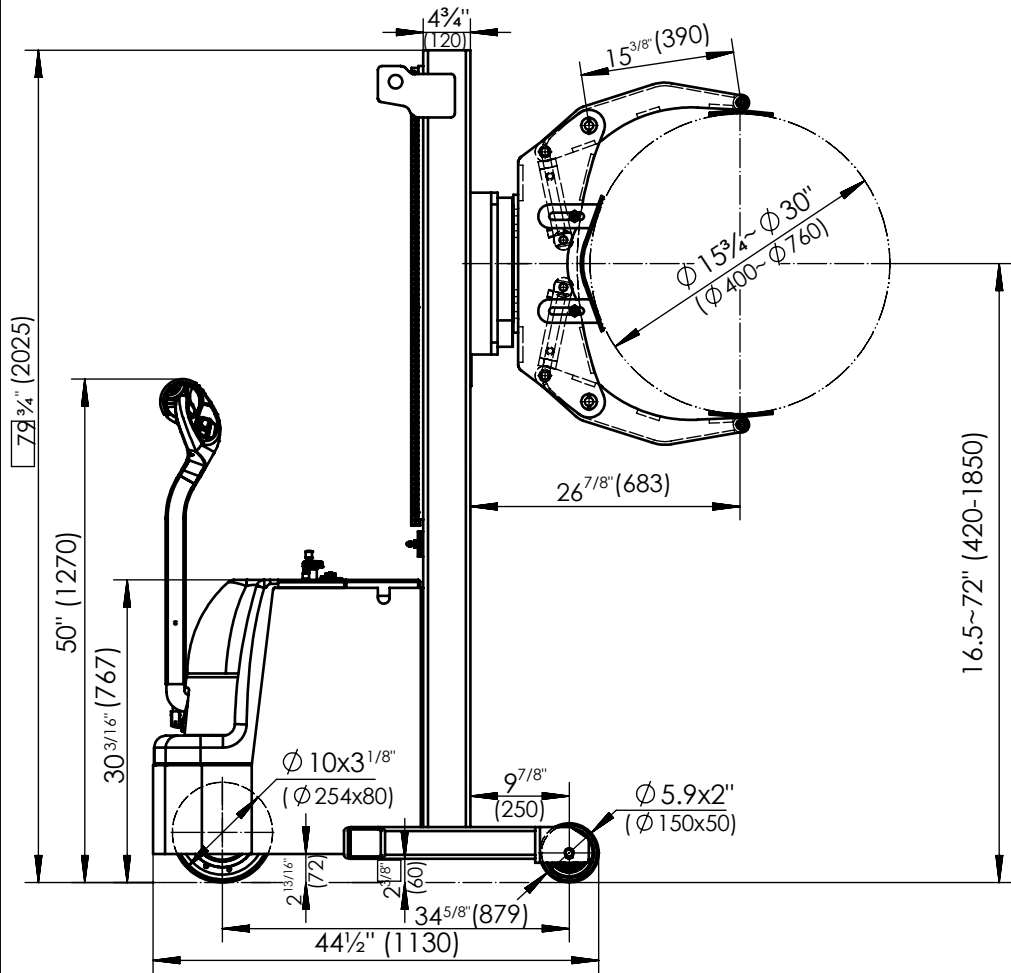


# FULLY POWERED VERTICAL ROLL GRIPPER/ROTATOR - S-MU-VRGR-72

\*\*\*ANY ADDITIONS, DELETIONS, OR OMISSIONS MUST BE CORRECTED ON THIS DRAWING AS THIS DRAWING WILL BE CONSIDERED ALL INCLUSIVE\*\*\*

ALL GRAPHICS PROVIDED ARE FOR REFERENCE ONLY. IF CERTAIN DIMENSIONS ARE CRITICAL PLEASE VERIFY THOSE DIMENSIONS WITH YOUR SALESPERSON



FOR INTERNAL USE ONLY PROJECT SIGN OFF	
SALES	
ENG.	
FAB.	
POWER	

DIMENSION TOLERANCE: ± 1/2"

## FEATURES

- MODEL NO: S-MU-VRGR-72
- ROLL LIFT HEIGHT: 72"
- CAPACITY: 800 LBS
- DRIVE MOTOR: 24V/0.5KW
- LIFT MOTOR: 24V/1.3KW
- BATTERY: 2x12V/70-85Ah
- BATTERY CHARGER: 24V/12amp
- LIFT SPEED W/O LOAD: 5.9"/s
- LIFT SPEED W/ LOAD: 2.95"/s
- LOWER DOWN SPEED W/O LOAD: 4"/s
- LOWER DOWN SPEED W/ LOAD: 3.15"/s
- TRAVEL SPEED W/O LOAD: 2.8 m/h
- TRAVEL SPEED W/ LOAD: 1.8 m/h
- TOUGH BAKED IN POWDER COAT
- YELLOW & BLACK FINISH

**APPROVAL**

I, THE UNDERSIGNED, AGREE THAT THE PRODUCT AS REPRESENTED SATISFIES DESIGN AND DIMENSION REQUIREMENTS. I ALSO ACKNOWLEDGE MY DUTY TO CONFIRM PRODUCT AND INSTALLATION COMPLIANCE WITH ALL APPLICABLE FEDERAL, STATE AND LOCAL REGULATIONS AND STANDARDS.  
**UNITS REQUIRING APPROVAL DRAWINGS OR MODIFIED ARE NON-RETURNABLE**  
 As drawn       As marked

Signed: \_\_\_\_\_ Date: \_\_\_\_\_

Printed Name: \_\_\_\_\_

LEAD TIME WILL START UPON RECEIPT OF SIGNED APPROVAL DRAWING

DISTRIBUTOR'S NAME:		P.O.#
VESTIL MANUFACTURING		X
DRAWN BY: TM		W.O.#
DATE: 9/28/2020		X
REFERENCE: X	SCALE: 1:2	SALES: X
QUOTED LEAD TIME: X	QUOTE #	FILE NAME:
	X	S-MU-VRGR-72