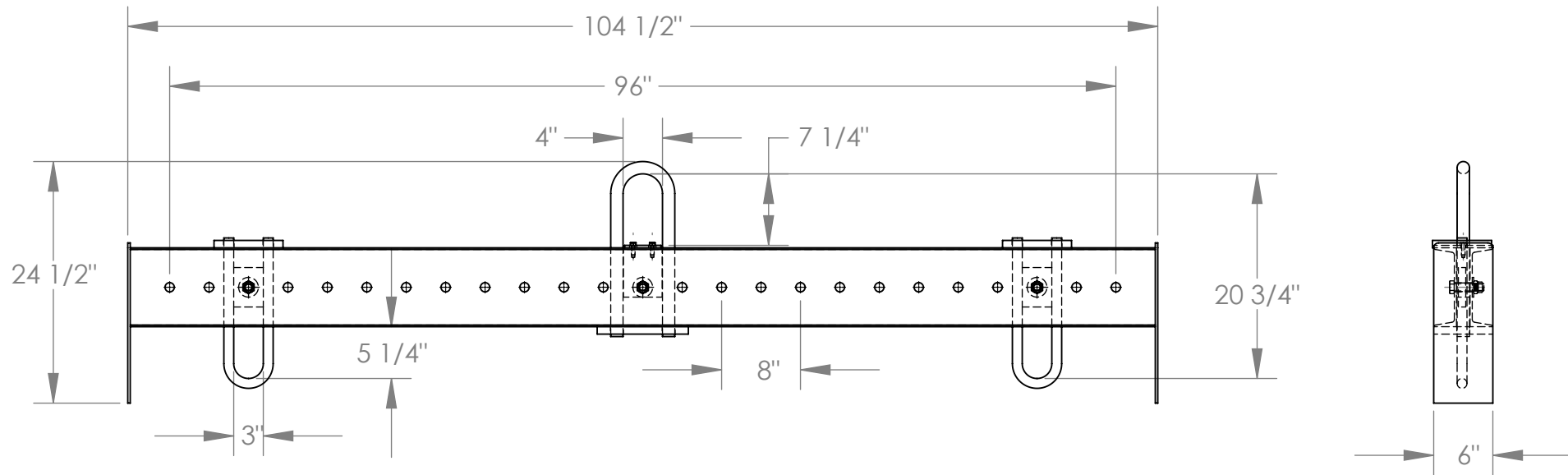


ADJUSTABLE SPREADER BEAM - SBM-80

APPROX WEIGHT: 264.71 lbs.
DOES NOT INCLUDE WEIGHT OF POWER OR PACKAGING!!!

*** ANY ADDITIONS, DELETIONS, OR OMISSIONS MUST BE CORRECTED ON THIS DRAWING AS THIS DRAWING WILL BE CONSIDERED ALL INCLUSIVE ***

ALL GRAPHICS PROVIDED ARE FOR REFERENCE ONLY. IF CERTAIN DIMENSIONS ARE CRITICAL PLEASE VERIFY THOSE DIMENSIONS WITH YOUR SALESPERSON



STANDARD FEATURES

- MODEL NUMBER IS SBM-80
- OVERALL WIDTH IS 6"
- OVERALL HEIGHT IS 24 1/2"
- OVERALL LENGTH IS 104 1/2"
- USABLE UPPER BAIL IS 4" x 7 1/4"
- USABLE LOWER BAIL IS 3" x 5 1/4"
- MINIMUM SPREAD IS 8"
- MAXIMUM SPREAD IS 96"
- HEADROOM IS 20 3/4"
- MAX CAPACITY IS 8,000 LBS

SPECIAL FEATURES

NONE

DIMENSION TOLERANCE ± 1/4"

APPROVAL

I, THE UNDERSIGNED, AGREE THAT THE PRODUCT AS REPRESENTED SATISFIES DESIGN AND DIMENSION REQUIREMENTS. I ALSO ACKNOWLEDGE MY DUTY TO CONFIRM PRODUCT AND INSTALLATION COMPLIANCE WITH ALL APPLICABLE FEDERAL, STATE AND LOCAL REGULATIONS AND STANDARDS.

ANY MODIFIED UNITS ARE NON-RETURNABLE

As drawn As marked

Signed: _____ Date: _____

Printed Name: _____

LEAD TIME WILL START UPON RECEIPT OF SIGNED APPROVAL DRAWING

| FOR INTERNAL USE ONLY PROJECT SIGN OFF | |
|---|--|
| SALES | |
| ENG. | |
| FAB. | |
| POWER | |

| | | |
|----------------------|--|----------------|
| DISTRIBUTOR'S NAME: | | P.O.# |
| VESTIL MANUFACTURING | | X |
| DRAWN BY: M.BEIER | | DATE: 06/18/08 |
| REFERENCE: X | | SCALE: 1:16 |
| QUOTED LEAD TIME: X | | QUOTE # |
| | | X |
| | | FILE NAME: |
| | | 08-007-045 |