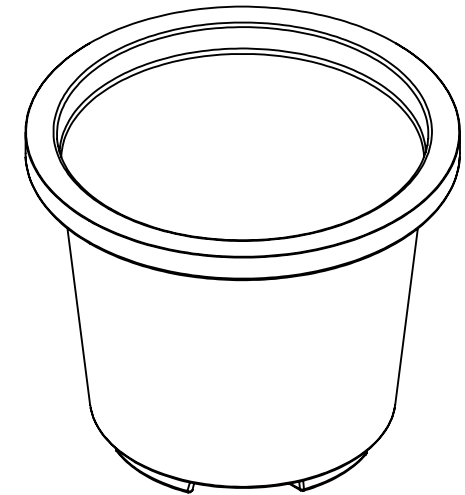
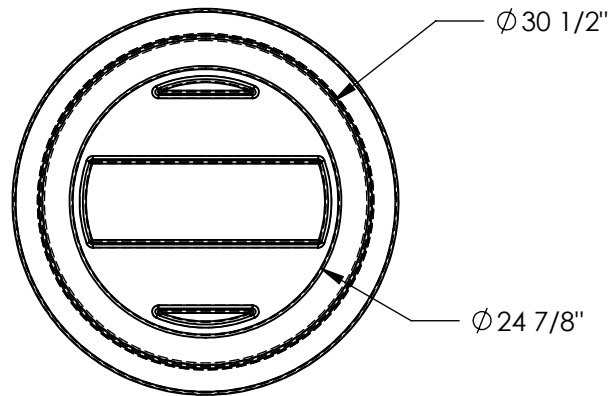
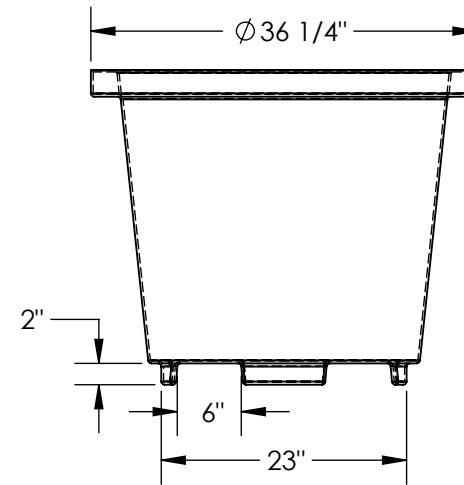
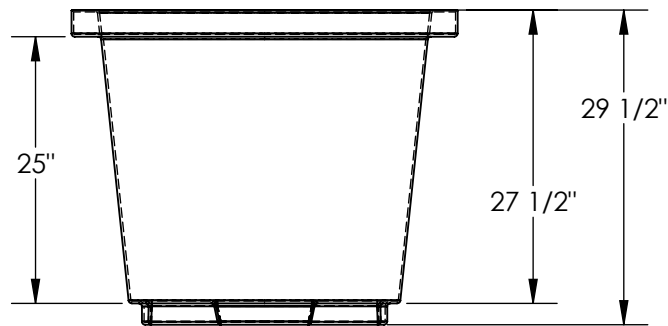


OVERPACK CONTAINER - SCC-65-YL

APPROX WEIGHT: 25.46 lbs.
DOES NOT INCLUDE WEIGHT OF POWER OR PACKAGING!!!

*** ANY ADDITIONS, DELETIONS, OR OMISSIONS MUST BE CORRECTED ON THIS DRAWING AS THIS DRAWING WILL BE CONSIDERED ALL INCLUSIVE ***

ALL GRAPHICS PROVIDED ARE FOR REFERENCE ONLY. IF CERTAIN DIMENSIONS ARE CRITICAL PLEASE VERIFY THOSE DIMENSIONS WITH YOUR SALESPERSON



DIMENSION TOLERANCE $\pm 1/4$ "

STANDARD FEATURES

- MODEL NUMBER IS SCC-65-YL
- OVERALL DIAMETER IS $\phi 36 \frac{1}{4}$ "
- OVERALL HEIGHT IS 29 $\frac{1}{2}$ "
- MADE FROM LOW-DENSITY POLYETHYLENE
- COLOR IS SAFETY YELLOW - MUNSELL, 5Y 8/12
- FOR USE WITH 55 GALLON STEEL OR PLASTIC BARRELS
- WORKS WITH DRUM-ST, DRUM-HD, AND DRUM-X-H
- MAX WEIGHT CAPACITY IS 800 LBS
- MAX VOLUME CAPACITY IS 65 GALLONS
- SNAP-ON LID (SCC-65-CVR) SOLD SEPARATELY

SPECIAL FEATURES

NONE

APPROVAL

I, THE UNDERSIGNED, AGREE THAT THE PRODUCT AS REPRESENTED SATISFIES DESIGN AND DIMENSION REQUIREMENTS. I ALSO ACKNOWLEDGE MY DUTY TO CONFIRM PRODUCT AND INSTALLATION COMPLIANCE WITH ALL APPLICABLE FEDERAL, STATE AND LOCAL REGULATIONS AND STANDARDS.
UNITS REQUIRING APPROVAL DRAWINGS OR MODIFIED ARE NON-RETURNABLE
 As drawn As marked

Signed: _____ Date: _____

Printed Name: _____

LEAD TIME WILL START UPON RECEIPT OF SIGNED APPROVAL DRAWING

DISTRIBUTOR'S NAME:		P.O.#
VESTIL MANUFACTURING		X
DRAWN BY: KGH		W.O.#
DATE: 8/1/2016		X
REFERENCE: X	SCALE: 1:18	SALES: X
QUOTED LEAD TIME: X	QUOTE #	FILE NAME:
	X	31-007-236