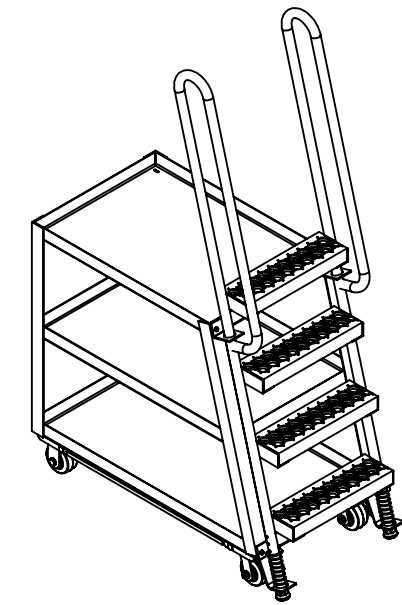
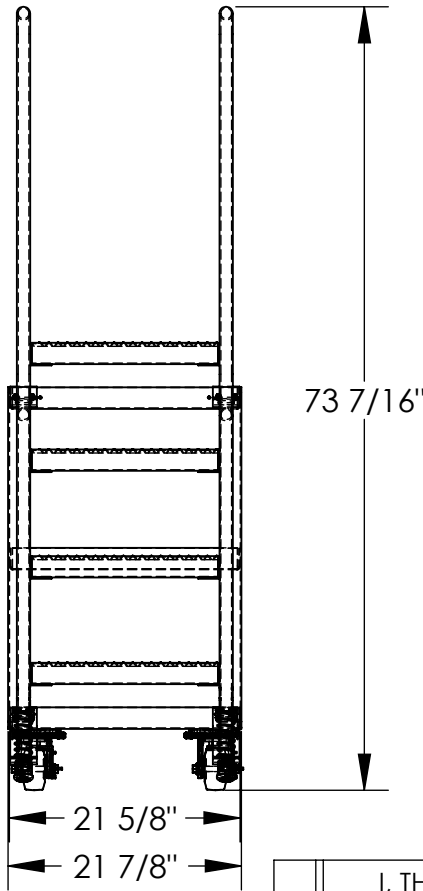
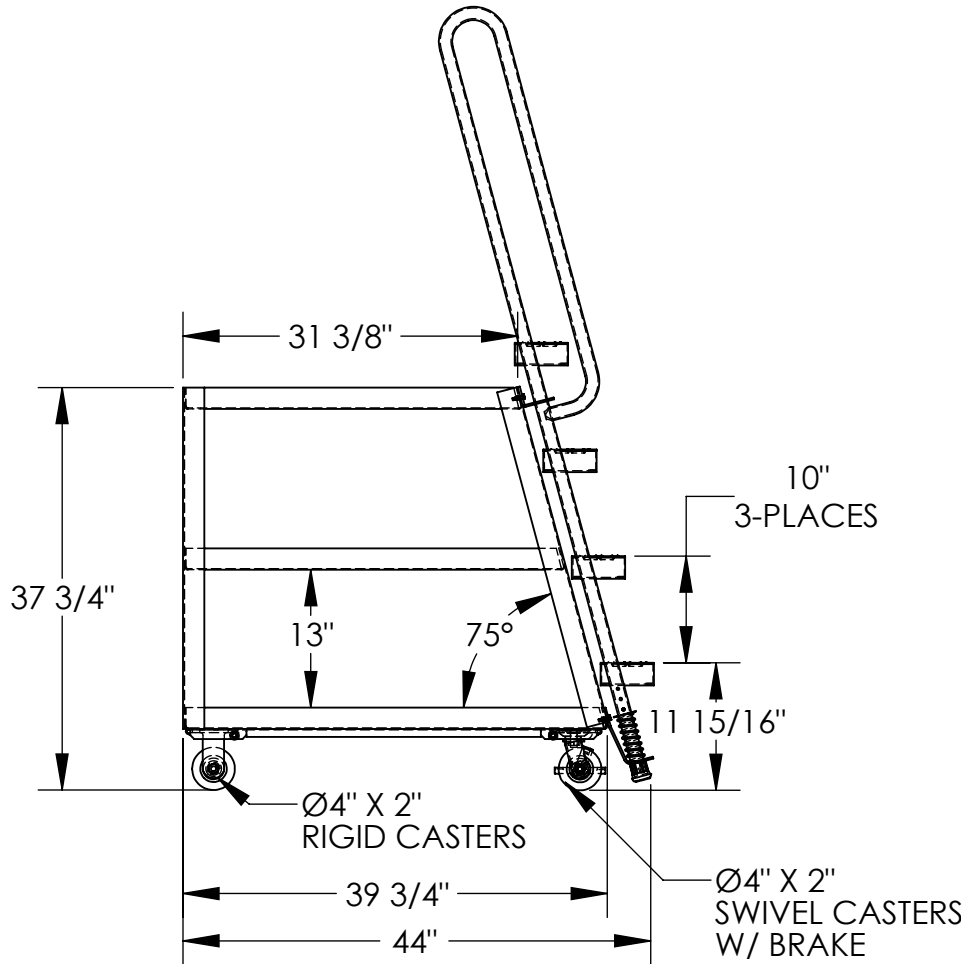


HI-DUTY ALUMINUM STOCKPICKER TRUCK - SPA-HD-2240

APPROX WEIGHT: 109.11 lbs. DOES NOT INCLUDE WEIGHT OF POWER OR PACKAGING!!!

*** ANY ADDITIONS, DELETIONS, OR OMISSIONS MUST BE CORRECTED ON THIS DRAWING AS THIS DRAWING WILL BE CONSIDERED ALL INCLUSIVE ***
 ALL GRAPHICS PROVIDED ARE FOR REFERENCE ONLY. IF CERTAIN DIMENSIONS ARE CRITICAL PLEASE VERIFY THOSE DIMENSIONS WITH YOUR SALESPERSON



3D VIEW SHOWN FOR REFERENCE ONLY

DIMENSION TOLERANCE ± 1/4"

STANDARD FEATURES

- MODEL NUMBER IS SPA-HD-2240
- CAPACITY: 1,000 LBS. (330 LBS. PER SHELF)
- OVERALL WIDTH IS 21 7/8"
- OVERALL LENGTH IS 44"
- OVERALL HEIGHT IS 73 7/16"
- BOTTOM SHELF SIZE: 21 5/8" x 39 3/4"
- TOP SHELF SIZE: 21 5/8" x 31 3/8"
- TOP SHELF HEIGHT: 37 3/4"
- SHELF CLEARANCE: 13"
- (2) 4x2 MOLD-ON-RUBBER SWIVEL CASTER WITH BRAKE
- (2) 4x2 MOLD-ON-RUBBER RIGID CASTER
- ALUMINUM FRAME CONSTRUCTION
- TOUGH BAKED IN POWDER COATED GRAY FINISH LADDER

SPECIAL FEATURES

NONE

A P P R O V A L	I, THE UNDERSIGNED, AGREE THAT THE PRODUCT AS REPRESENTED SATISFIES DESIGN AND DIMENSION REQUIREMENTS. I ALSO ACKNOWLEDGE MY DUTY TO CONFIRM PRODUCT AND INSTALLATION COMPLIANCE WITH ALL APPLICABLE FEDERAL, STATE AND LOCAL REGULATIONS AND STANDARDS.	
	UNITS REQUIRING APPROVAL DRAWINGS OR MODIFIED ARE NON-RETURNABLE	
	[] As drawn	[] As marked
	Signed: _____ Date: _____	
Printed Name: _____		
LEAD TIME WILL START UPON RECEIPT OF SIGNED APPROVAL DRAWING		

DISTRIBUTOR'S NAME:		P.O.#
VESTIL MANUFACTURING		X
DRAWN BY: EJ	DATE: 01/01/04	W.O.#
REFERENCE: X	SCALE: 1:18	X
QUOTED LEAD TIME: X	QUOTE #	FILE NAME:
	X	32-007-028