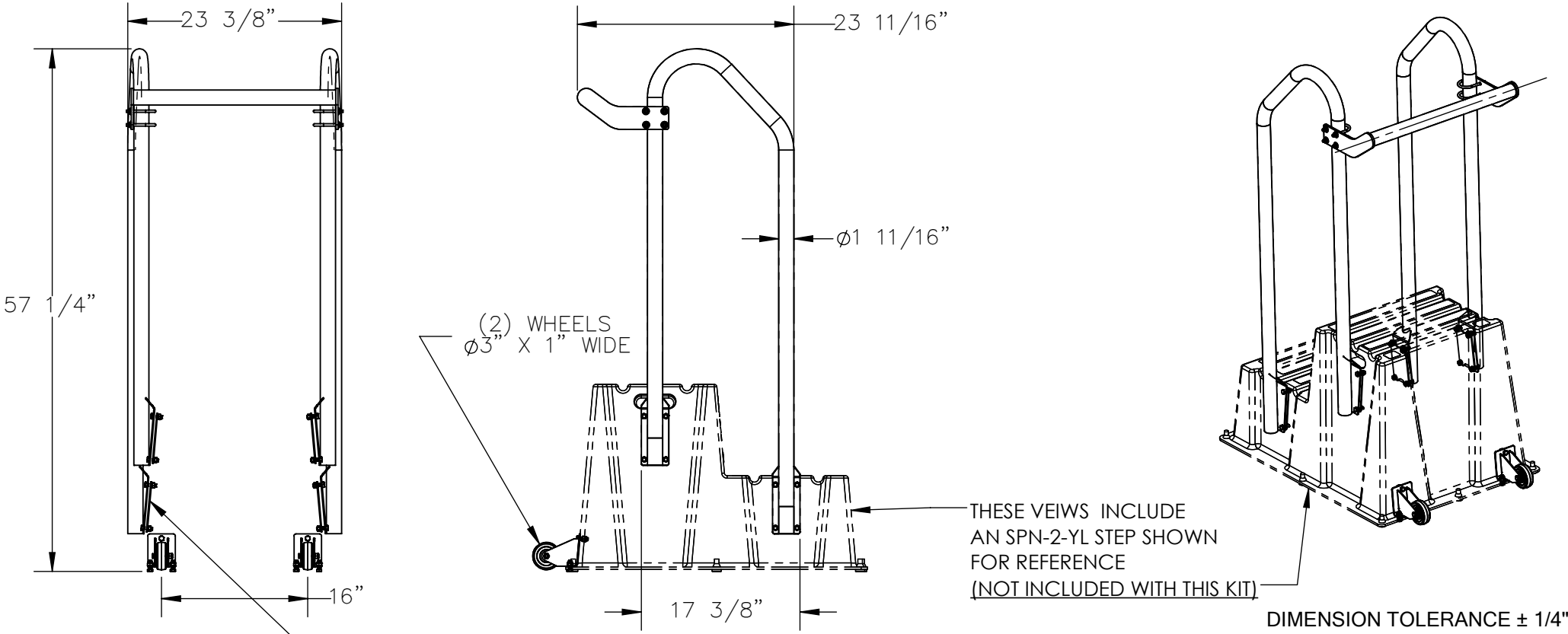


# SPN 2 STEP YELLOW ALL OPTIONS KIT - SPN-2-YL-AOK

APPROX WEIGHT: 50 lbs.  
DOES NOT INCLUDE WEIGHT OF POWER OR PACKAGING!!!

\*\*\* ANY ADDITIONS, DELETIONS, OR OMISSIONS MUST BE CORRECTED ON THIS DRAWING AS THIS DRAWING WILL BE CONSIDERED ALL INCLUSIVE \*\*\*

ALL GRAPHICS PROVIDED ARE FOR REFERENCE ONLY. IF CERTAIN DIMENSIONS ARE CRITICAL PLEASE VERIFY THOSE DIMENSIONS WITH YOUR SALESPERSON



SUPPORT BRACKET MOUNTS ON INSIDE OF STEP FOR BACKING

THESE VIEWS INCLUDE AN SPN-2-YL STEP SHOWN FOR REFERENCE (NOT INCLUDED WITH THIS KIT)

DIMENSION TOLERANCE ± 1/4"

## STANDARD FEATURES

- MODEL NUMBER IS SPN-2-YL-AOK
- OVERALL WIDTH IS 23 3/8"
- OVERALL HEIGHT IS 57 1/4"
- OVERALL LENGTH IS 23 11/16"
- INCLUDES (2) CASTERS WITH BRACKETS, BOLTS, AND NUTS
- INCLUDES (2) HANDRAILS WITH BOLTS, LOCK WASHERS, NUTS, AND SUPPORT BRACKETS
- INCLUDES BACK RAIL, U-BOLTS, WASHERS, AND NUTS
- WILL NEED TO DRILL HOLES IN SPN TO MOUNT ADD ON OPTIONS
- DURABLE BAKED IN POWDER COATED YELLOW FINISH

## SPECIAL FEATURES

NONE

<b>APPROVAL</b>	I, THE UNDERSIGNED, AGREE THAT THE PRODUCT AS REPRESENTED SATISFIES DESIGN AND DIMENSION REQUIREMENTS. I ALSO ACKNOWLEDGE MY DUTY TO CONFIRM PRODUCT AND INSTALLATION COMPLIANCE WITH ALL APPLICABLE FEDERAL, STATE AND LOCAL REGULATIONS AND STANDARDS.	
	<b>UNITS REQUIRING APPROVAL DRAWINGS OR MODIFIED ARE NON-RETURNABLE</b>	
	[ ] As drawn      [ ] As marked	
	Signed: _____	Date: _____
Printed Name: _____		
<i>LEAD TIME WILL START UPON RECEIPT OF SIGNED APPROVAL DRAWING</i>		

DISTRIBUTOR'S NAME:		P.O.#
VESTIL MANUFACTURING		X
		W.O.#
DRAWN BY: MTS		X
DATE: 11/14/2024		SALES: X
REFERENCE: X	SCALE: 1:16	FILE NAME:
QUOTED LEAD TIME: X	QUOTE # X	14-007-358