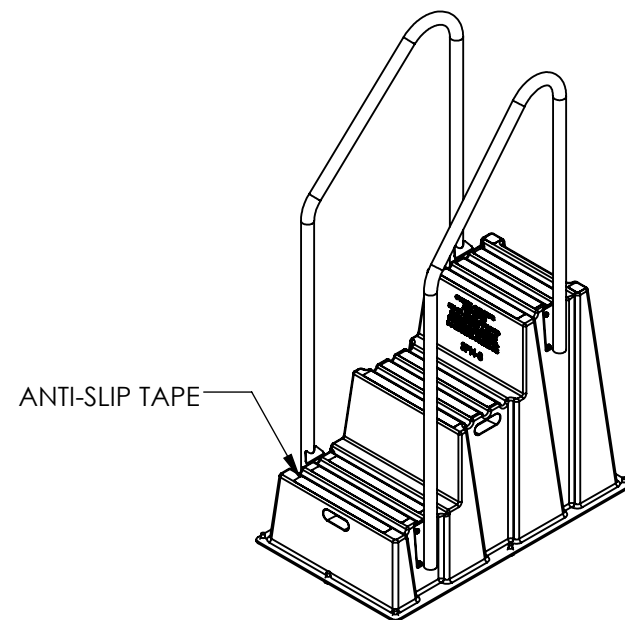
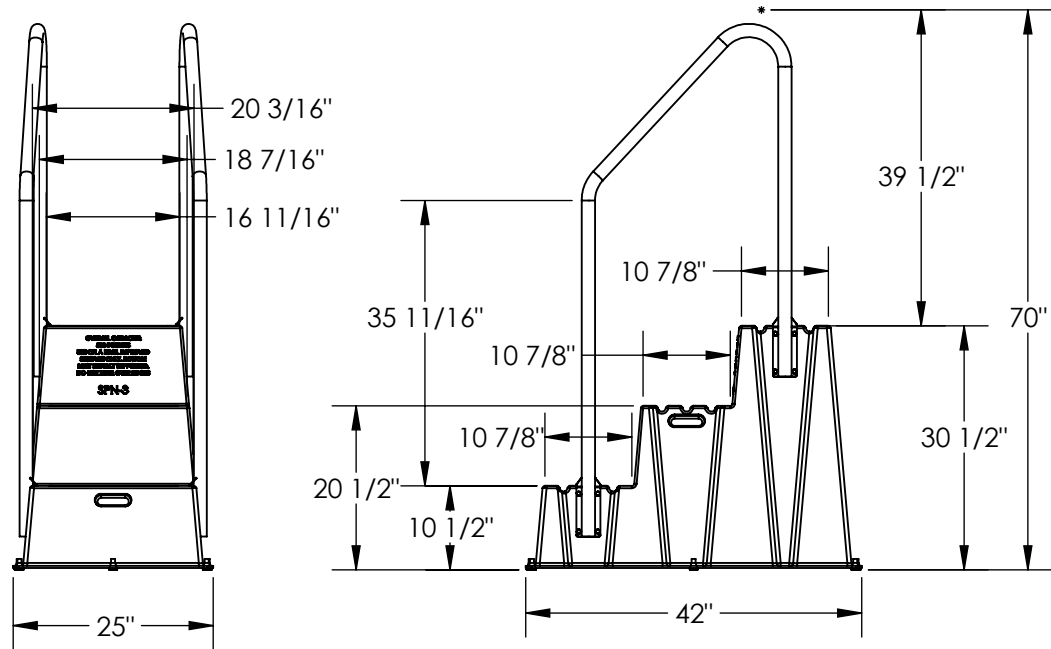


NESTABLE STEP STOOL W/ HANDRAIL - SPN-3-YL-HR

APPROX WEIGHT: 73 lbs.
DOES NOT INCLUDE WEIGHT OF POWER OR PACKAGING!!!

*** ANY ADDITIONS, DELETIONS, OR OMISSIONS MUST BE CORRECTED ON THIS DRAWING AS THIS DRAWING WILL BE CONSIDERED ALL INCLUSIVE ***

ALL GRAPHICS PROVIDED ARE FOR REFERENCE ONLY. IF CERTAIN DIMENSIONS ARE CRITICAL PLEASE VERIFY THOSE DIMENSIONS WITH YOUR SALESPERSON



STANDARD FEATURES

- MODEL NUMBER IS SPN-3-YL-HR
- OVERALL WIDTH IS 25"
- OVERALL LENGTH IS 42"
- OVERALL HEIGHT IS 70"
- FIRST STEP HEIGHT IS 10 1/2"
- SECOND STEP HEIGHT IS 20 1/2"
- THIRD STEP HEIGHT IS 30 1/2"
- FIRST STEP IS 20 3/16" X 10 7/8"
- SECOND STEP IS 18 7/16" X 10 7/8"
- THIRD STEP IS 16 11/16" X 10 7/8"
- MAX CAPACITY IS 500 LBS.
- MADE OF MEDIUM DENSITY POLYETHYLENE
- COMES WITH ANTI-SLIP TAPE ON STEP SURFACE
- INCLUDES BOLT-ON HANDRAIL
- COLOR IS SAFETY YELLOW

SPECIAL FEATURES

NONE

DIMENSION TOLERANCE ± 1/4"

| | | |
|---|--|-------------|
| APPROVAL | I, THE UNDERSIGNED, AGREE THAT THE PRODUCT AS REPRESENTED SATISFIES DESIGN AND DIMENSION REQUIREMENTS. I ALSO ACKNOWLEDGE MY DUTY TO CONFIRM PRODUCT AND INSTALLATION COMPLIANCE WITH ALL APPLICABLE FEDERAL, STATE AND LOCAL REGULATIONS AND STANDARDS. | |
| | ANY MODIFIED UNITS ARE NON-RETURNABLE | |
| | [] As drawn [] As marked | |
| | Signed: _____ | Date: _____ |
| Printed Name: _____ | | |
| <i>LEAD TIME WILL START UPON RECEIPT OF SIGNED APPROVAL DRAWING</i> | | |

| | |
|---|--|
| FOR INTERNAL USE ONLY PROJECT SIGN OFF | |
| SALES | |
| ENG. | |
| FAB. | |
| POWER | |

| | | |
|----------------------|------------------|------------|
| DISTRIBUTOR'S NAME: | | P.O.# |
| VESTIL MANUFACTURING | | X |
| DRAWN BY: KGH | DATE: 11/13/2018 | W.O.# |
| REFERENCE: X | SCALE: 1:24 | X |
| QUOTED LEAD TIME: X | QUOTE # | FILE NAME: |
| | X | 14-007-321 |