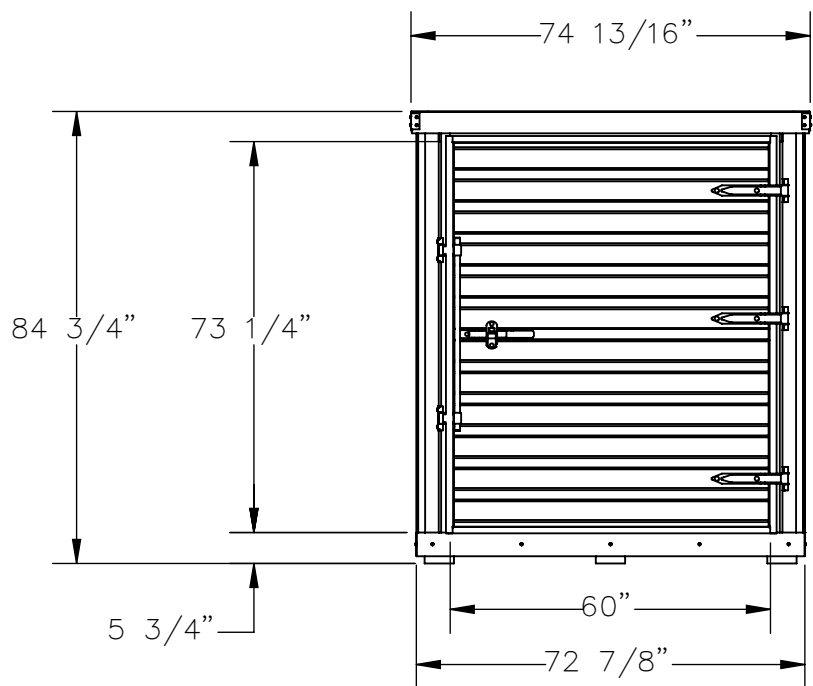
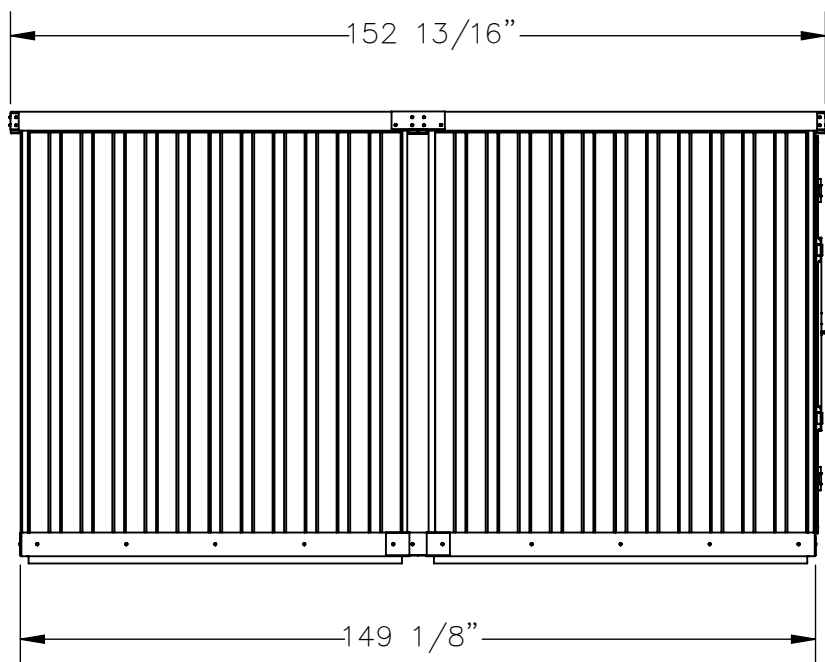


# DOUBLE DEPTH STORAGE BUILDING, WIDE DOOR - STOR-612-G-W-1RH-WD

APPROX WEIGHT: 1058.57 lbs.  
 DOES NOT INCLUDE WEIGHT OF POWER OR PACKAGING!!!

\*\*\* ANY ADDITIONS, DELETIONS, OR OMISSIONS MUST BE CORRECTED ON THIS DRAWING AS THIS DRAWING WILL BE CONSIDERED ALL INCLUSIVE \*\*\*  
 ALL GRAPHICS PROVIDED ARE FOR REFERENCE ONLY. IF CERTAIN DIMENSIONS ARE CRITICAL PLEASE VERIFY THOSE DIMENSIONS WITH YOUR SALESPERSON



DIMENSION TOLERANCE ± 1/4"

## STANDARD FEATURES

- MODEL NUMBER IS: STOR-612-G-W-1RH-WD
- UNIFORM FLOOR CAPACITY IS: 5,500 LBS.
- OVERALL WIDTH IS: 74 13/16"
- USABLE WIDTH IS: 69 1/2" (NOT SHOWN)
- OVERALL DEPTH IS: 152 13/16"
- USABLE DEPTH IS: 145 3/4" (NOT SHOWN)
- OVERALL HEIGHT IS: 84 3/4"
- USABLE INTERIOR HEIGHT IS: 77 3/8" (NOT SHOWN)
- USABLE DOOR OPENING IS: 60"W x 73 1/4"H
- WOODEN FLOOR HEIGHT IS: 5 3/4"
- ROOF SNOW LOAD RATING: 45 LBS / SQ FT.
- MAINTENANCE FREE GALVANIZED STEEL CONSTRUCTION
- SHIPS KNOCKED DOWN, ASSEMBLY REQUIRED

## SPECIAL FEATURES

NONE

<b>APPROVAL</b>	I, THE UNDERSIGNED, AGREE THAT THE PRODUCT AS REPRESENTED SATISFIES DESIGN AND DIMENSION REQUIREMENTS. I ALSO ACKNOWLEDGE MY DUTY TO CONFIRM PRODUCT AND INSTALLATION COMPLIANCE WITH ALL APPLICABLE FEDERAL, STATE AND LOCAL REGULATIONS AND STANDARDS.	
	<b>UNITS REQUIRING APPROVAL DRAWINGS OR MODIFIED ARE NON-RETURNABLE</b>	
	[ ] As drawn      [ ] As marked	
	Signed: _____	Date: _____
	Printed Name: _____	
	<i>LEAD TIME WILL START UPON RECEIPT OF SIGNED APPROVAL DRAWING</i>	

DISTRIBUTOR'S NAME:		P.O.#
<b>VESTIL MANUFACTURING</b>		X
		W.O.#
DRAWN BY: JGP		X
DATE: 12/23/2020		SALES: X
REFERENCE: X	SCALE: 1:36	FILE NAME:
QUOTED LEAD TIME: X	QUOTE # X	41-007-064