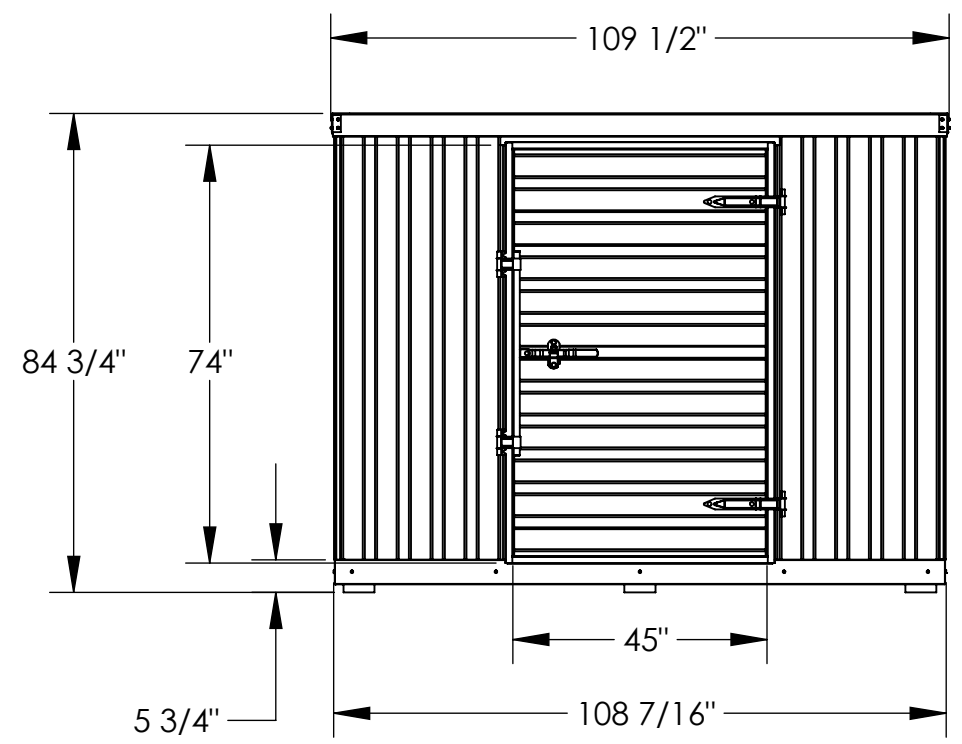
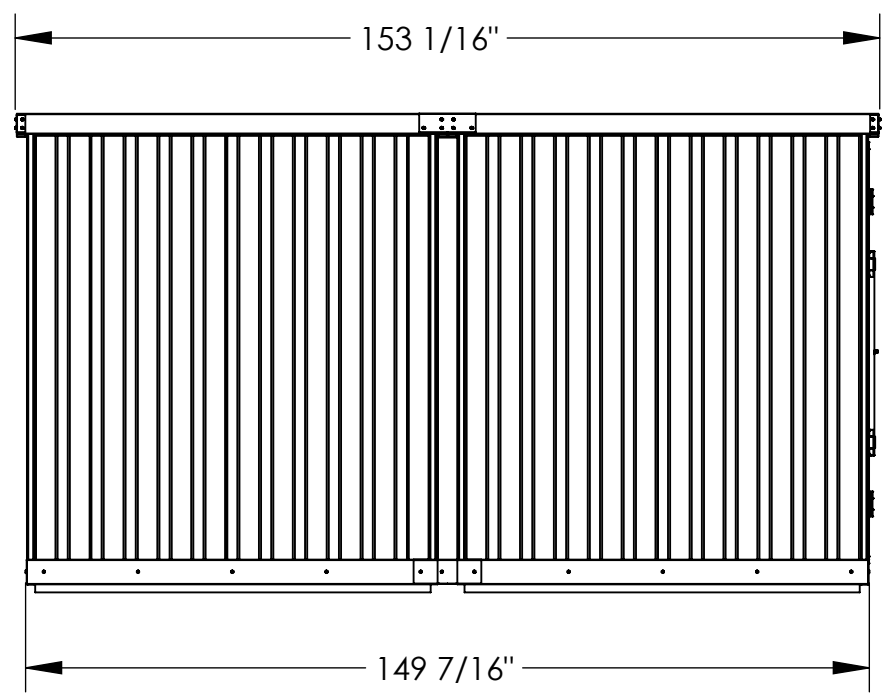


DOUBLE DEPTH STORAGE BUILDING - STOR-912-G-W-1RH

APPROX WEIGHT: 1286.05 lbs.
 DOES NOT INCLUDE WEIGHT OF POWER OR PACKAGING!!!

*** ANY ADDITIONS, DELETIONS, OR OMISSIONS MUST BE CORRECTED ON THIS DRAWING AS THIS DRAWING WILL BE CONSIDERED ALL INCLUSIVE ***

ALL GRAPHICS PROVIDED ARE FOR REFERENCE ONLY. IF CERTAIN DIMENSIONS ARE CRITICAL PLEASE VERIFY THOSE DIMENSIONS WITH YOUR SALESPERSON



DIMENSION TOLERANCE ± 1/4"

STANDARD FEATURES

- MODEL NUMBER IS: STOR-912-G-W-1RH
- GALVANIZED STEEL CONSTRUCTION
- 106 SQ-FT USABLE FLOOR SPACE
- UNIFORM CAPACITY OF FLOOR IS: 5,500 LBS
- OVERALL WIDTH IS: 109 1/2"
- USABLE WIDTH INSIDE IS: 104 3/4"
- OVERALL DEPTH IS: 152 13/16"
- USABLE DEPTH INSIDE IS: 145 3/4"
- OVERALL HEIGHT IS: 84 3/4"
- USABLE HEIGHT INSIDE IS: 77 7/16"
- USABLE DOOR OPENING IS: 45" W X 74" H
- WOODEN FLOOR HEIGHT IS: 5 3/4" H
- ROOF CAN SUPPORT SNOW WEIGHT UP TO 45 LBS PER SQ-FT

SPECIAL FEATURES

NONE

APPROVAL

I, THE UNDERSIGNED, AGREE THAT THE PRODUCT AS REPRESENTED SATISFIES DESIGN AND DIMENSION REQUIREMENTS. I ALSO ACKNOWLEDGE MY DUTY TO CONFIRM PRODUCT AND INSTALLATION COMPLIANCE WITH ALL APPLICABLE FEDERAL, STATE AND LOCAL REGULATIONS AND STANDARDS.

UNITS REQUIRING APPROVAL DRAWINGS OR MODIFIED ARE NON-RETURNABLE

As drawn As marked

Signed: _____ Date: _____

Printed Name: _____

LEAD TIME WILL START UPON RECEIPT OF SIGNED APPROVAL DRAWING

DISTRIBUTOR'S NAME:		P.O.#
VESTIL MANUFACTURING		X
DRAWN BY: ND		W.O.#
DATE: 12/23/11		X
REFERENCE: X	SCALE: 1:34	SALES: X
QUOTED LEAD TIME: X	QUOTE # X	FILE NAME:
		41-007-007