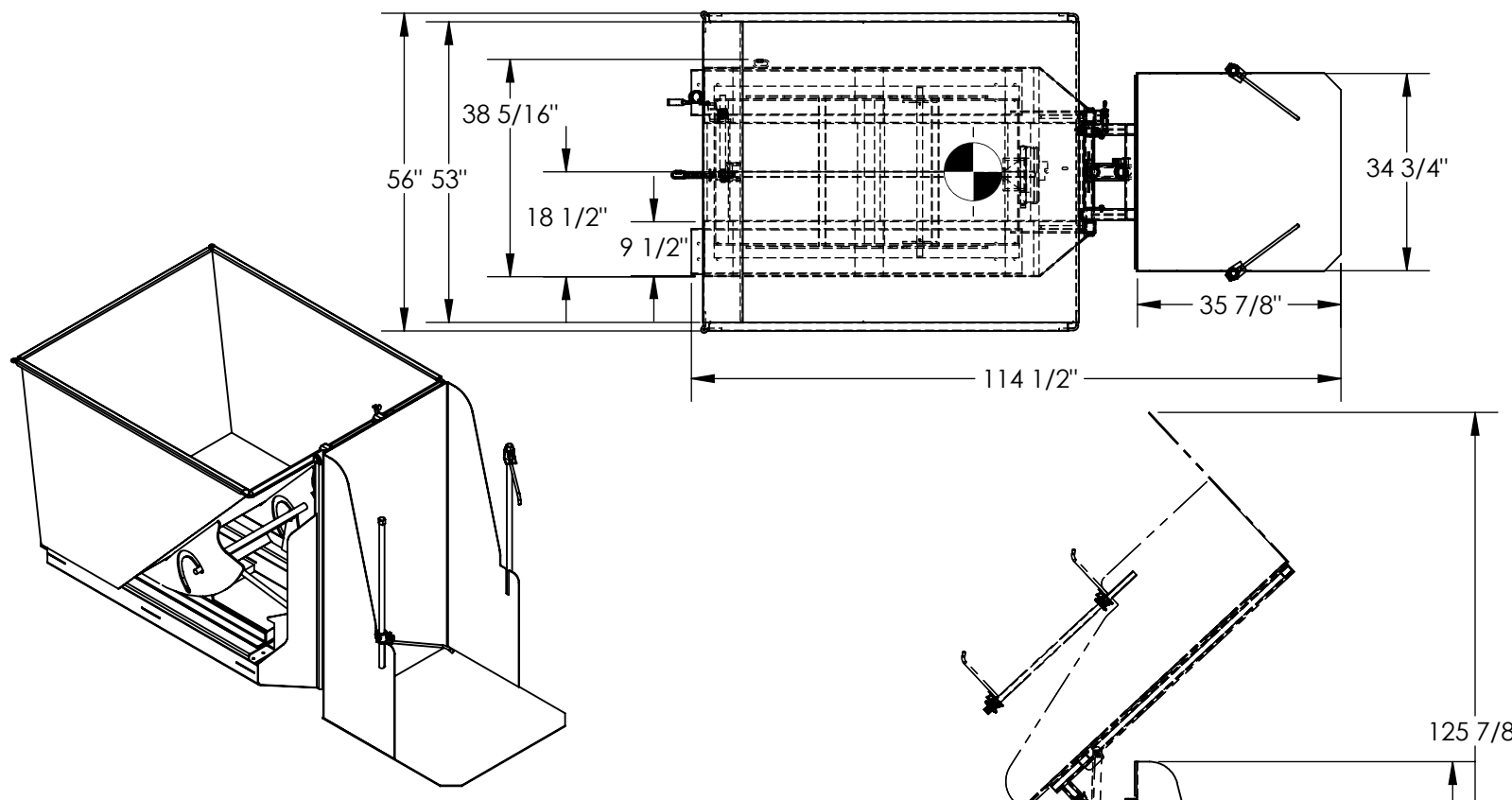


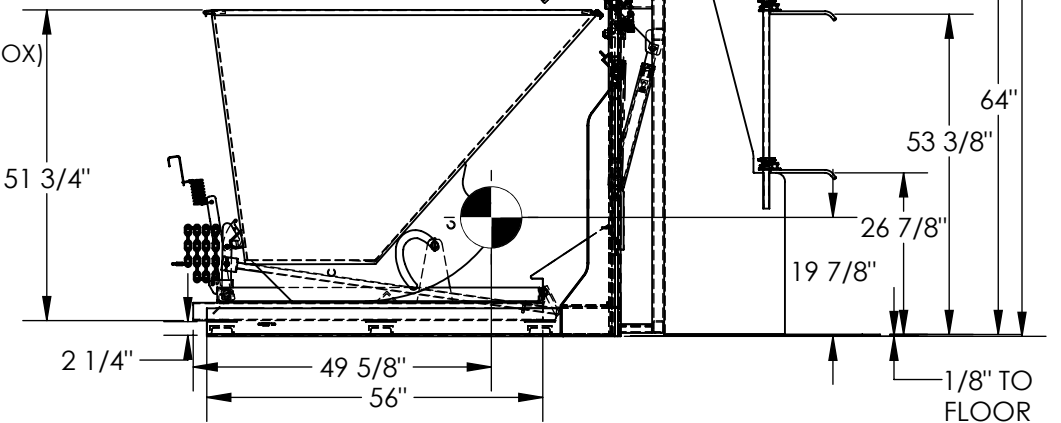
TRASH CAN DUMPER - TCD-HLD-400-DLX

APPROX WEIGHT: 1300.32 lbs.
 DOES NOT INCLUDE WEIGHT OF POWER OR PACKAGING!!!

ANY ADDITIONS, DELETIONS, OR OMISSIONS MUST BE CORRECTED ON THIS DRAWING AS THIS DRAWING WILL BE CONSIDERED ALL INCLUSIVE



APPROX. WEIGHT/ LOST LOAD= 1301 LBS. (APPROX)
 EFFECTIVE THICKNESS= FORK LENGTH MINUS 59"
 FOR FORK LENGTHS 59" OR SHORTER
 MINIMUM EFFECTIVE THICKNESS= LESS THAN 1"
 NEVER EXCEED LOAD CENTER RATING PER
 FORK TRUCK MANUFACTURER'S GUIDELINES.
 DO NOT USE THIS FORK TRUCK ATTACHMENT
 IF LOAD WILL EXCEED FORK TRUCK
 MANUFACTURER'S LOAD CENTER RATING



ALL GRAPHICS PROVIDED ARE FOR REFERENCE ONLY. IF CERTAIN DIMENSIONS ARE CRITICAL PLEASE VERIFY THOSE DIMENSIONS WITH YOUR SALESPERSON DIMENSION TOLERANCE ± 1/4"

STANDARD FEATURES

- MODEL NUMBER IS TCD-HLD-400-DLX
- OVERALL WIDTH IS 56"
- USABLE CHUTE WIDTH IS 34 3/4"
- USABLE HOPPER WIDTH IS 53"
- OVERALL LENGTH IS 114 1/2"
- USABLE CHUTE LENGTH IS 35 7/8"
- LOWERED HEIGHT IS 64"
- OVERALL ROTATED HEIGHT IS 125 7/8"
- MAX CAPACITY IS 400 LBS.
- DURABLE LIQUID PAINT YELLOW FINISH
- D-200-LD HOPPER INCLUDED
- POWER UNIT: 12 V DC WITH ON-BOARD CHARGER
- CONTROL: HAND

SPECIAL FEATURES

NONE

A P P R O V A L	I, THE UNDERSIGNED, AGREE THAT THE PRODUCT AS REPRESENTED SATISFIES DESIGN AND DIMENSION REQUIREMENTS. I ALSO ACKNOWLEDGE MY DUTY TO CONFIRM PRODUCT AND INSTALLATION COMPLIANCE WITH ALL APPLICABLE FEDERAL, STATE AND LOCAL REGULATIONS AND STANDARDS.	
	UNITS REQUIRING APPROVAL DRAWINGS OR MODIFIED ARE NON-RETURNABLE	
	[] As drawn [] As marked	
	Signed: _____	Date: _____
Printed Name: _____		
<i>LEAD TIME WILL START UPON RECEIPT OF SIGNED APPROVAL DRAWING</i>		

DISTRIBUTOR'S NAME:		P.O.#
VESTIL MANUFACTURING		X
DRAWN BY: JWW		W.O.#
DATE: 6/6/19		X
REFERENCE: X		SALES: X
QUOTED LEAD TIME: X		SCALE: 1:32
QUOTE # X		FILE NAME:
		34-007-047