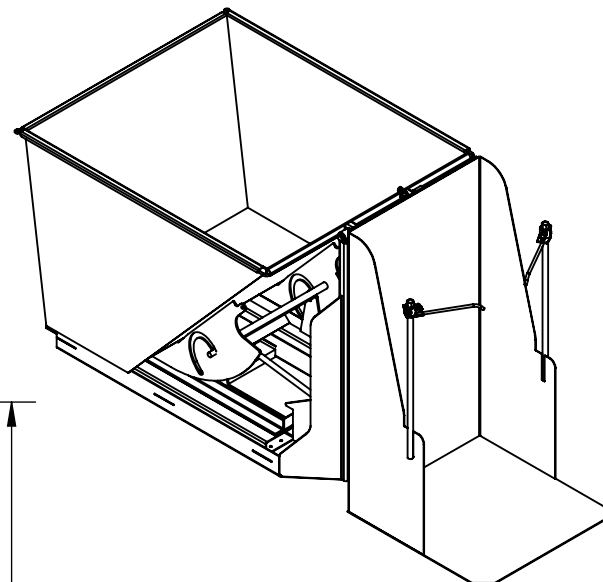
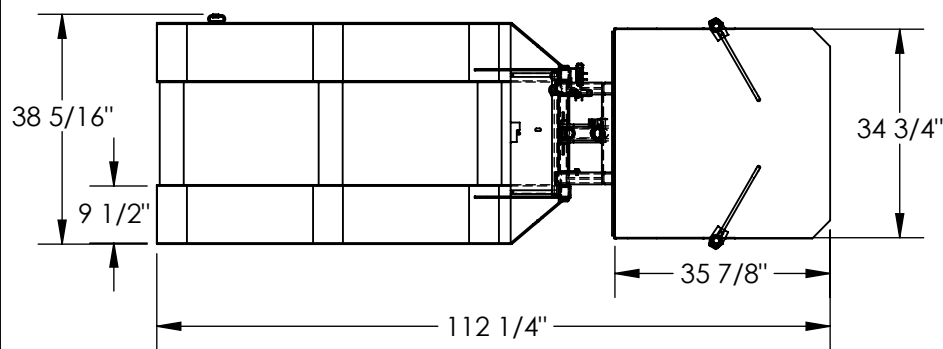


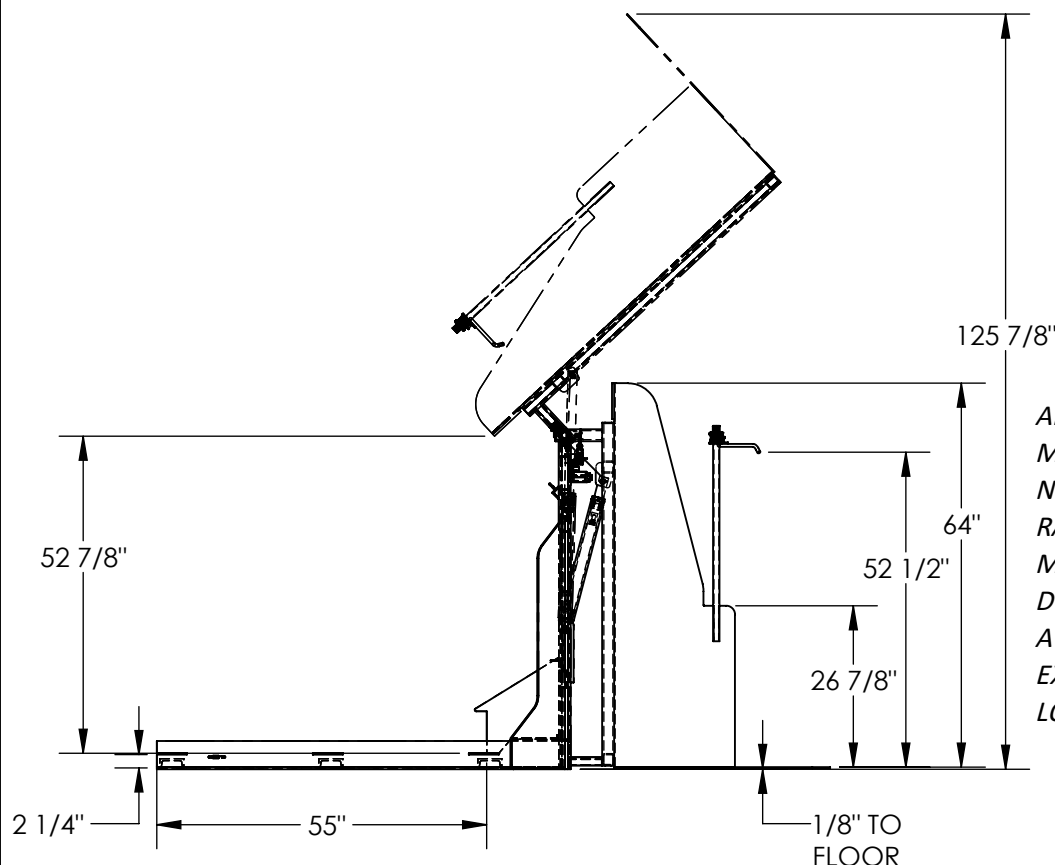
TRASH CAN DUMPER - TCD-HLD-400

APPROX WEIGHT: 689.02 lbs.
DOES NOT INCLUDE WEIGHT OF POWER OR PACKAGING!!!

ANY ADDITIONS, DELETIONS, OR OMISSIONS MUST BE CORRECTED ON THIS DRAWING AS THIS DRAWING WILL BE CONSIDERED ALL INCLUSIVE



3-D VIEW OF TCD-HLD-400
WITH D-200-LD SHOWN
FOR REFERENCE ONLY



APPROX. WEIGHT / LOST LOAD = 689.02 LBS
MINIMUM EFFECTIVE THICKNESS = LESS THAN 1"
NEVER EXCEED LOAD CENTER
RATING PER FORKTRUCK
MANUFACTURERS GUIDELINES.
DO NOT USE THIS FORK TRUCK
ATTACHMENT IF LOAD WILL
EXCEED FORK TRUCK MANUFACTURER'S
LOAD CENTER RATING

ALL GRAPHICS PROVIDED ARE FOR REFERENCE ONLY. IF CERTAIN DIMENSIONS ARE CRITICAL PLEASE VERIFY THOSE DIMENSIONS WITH YOUR SALESPERSON

STANDARD FEATURES

- MODEL NUMBER IS TCD-HLD-400
- OVERALL WIDTH IS 38 5/16"
- USABLE CHUTE WIDTH IS 34 3/4"
- OVERALL LENGTH IS 112 1/4"
- USABLE CHUTE LENGTH IS 35 7/8"
- LOWERED HEIGHT IS 64"
- OVERALL ROTATED HEIGHT IS 125 7/8"
- MAX CAPACITY IS 400 LBS.
- DUMPING CHUTE IS DURABLE LIQUID PAINT YELLOW FINISH
- HOPPER ATTACHMENT IS DURABLE LIQUID PAINT BLUE FINISH
- WORKS WITH 2 CUBIC YARD "D" STYLE HOPPERS
- HOPPERS SOLD SEPARATELY
- POWER UNIT: 12 V DC WITH ON-BOARD CHARGER
- CONTROL: HAND

SPECIAL FEATURES

NONE

DIMENSION TOLERANCE $\pm 1/4"$

APPROVAL

I, THE UNDERSIGNED, AGREE THAT THE PRODUCT AS REPRESENTED SATISFIES DESIGN AND DIMENSION REQUIREMENTS. I ALSO ACKNOWLEDGE MY DUTY TO CONFIRM PRODUCT AND INSTALLATION COMPLIANCE WITH ALL APPLICABLE FEDERAL, STATE AND LOCAL REGULATIONS AND STANDARDS.
UNITS REQUIRING APPROVAL DRAWINGS OR MODIFIED ARE NON-RETURNABLE
[] As drawn [] As marked

Signed: _____ Date: _____

Printed Name: _____

LEAD TIME WILL START UPON RECEIPT OF SIGNED APPROVAL DRAWING

DISTRIBUTOR'S NAME:		P.O.#
VESTIL MANUFACTURING		X
DRAWN BY: JWW		W.O.#
DATE: 6/6/19		X
REFERENCE: X	SCALE: 1:32	SALES: X
QUOTED LEAD TIME: X	QUOTE # X	FILE NAME:
		34-007-046