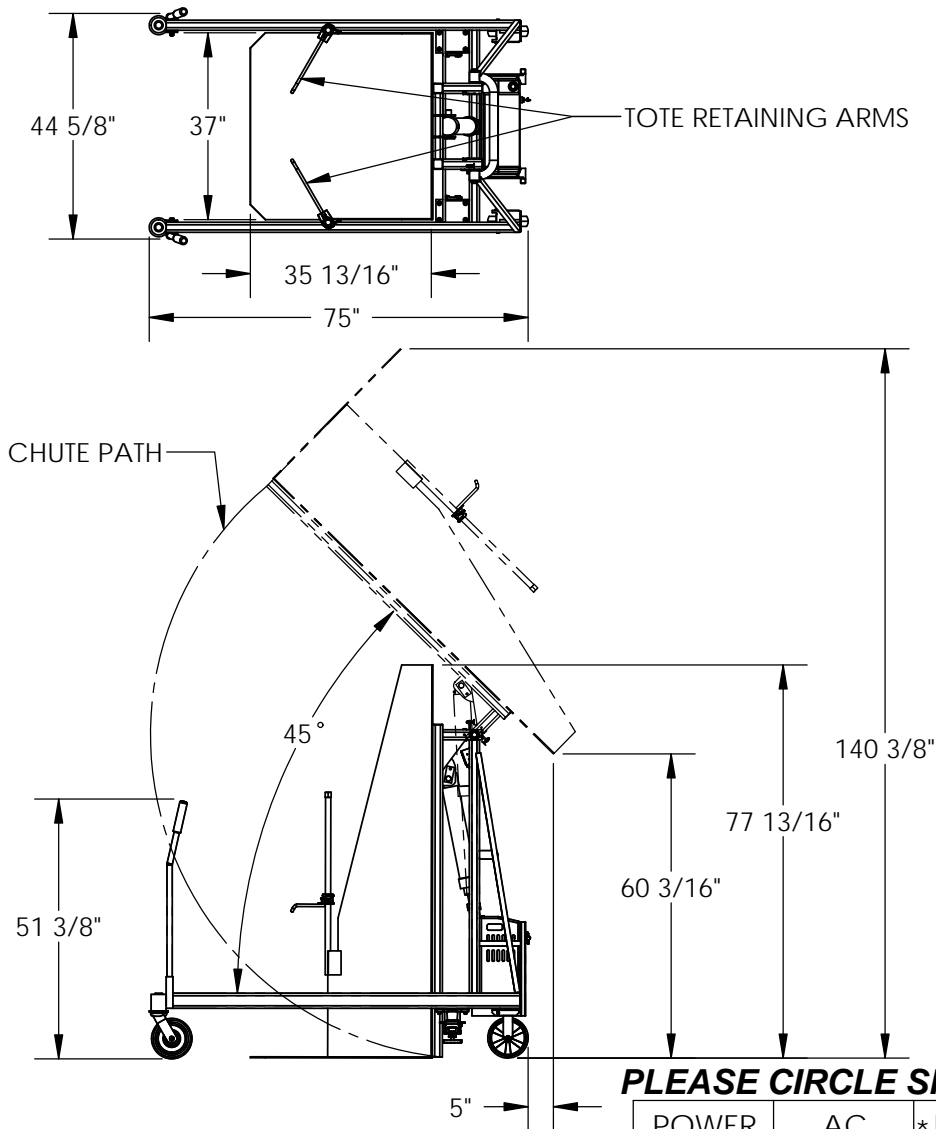


ELECTRIC HYDRAULIC UNIVERSAL TRASH CAN DUMPER - TCD-U-60-AC/DC

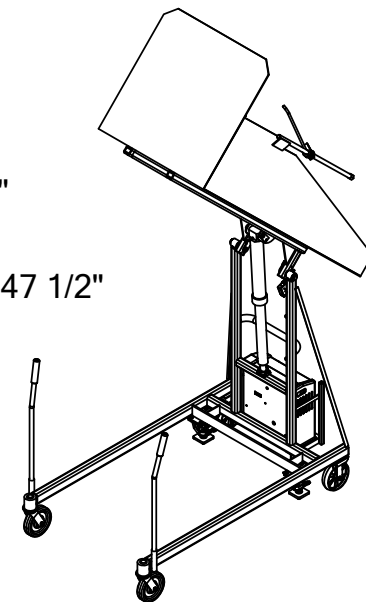
APPROX WEIGHT: 798.51 lbs.
 DOES NOT INCLUDE WEIGHT OF POWER OR PACKAGING!!!

*** ANY ADDITIONS, DELETIONS, OR OMISSIONS MUST BE CORRECTED ON THIS DRAWING AS THIS DRAWING WILL BE CONSIDERED ALL INCLUSIVE ***
 ALL GRAPHICS PROVIDED ARE FOR REFERENCE ONLY. IF CERTAIN DIMENSIONS ARE CRITICAL PLEASE VERIFY THOSE DIMENSIONS WITH YOUR SALESPERSON



STANDARD FEATURES

- MODEL NUMBER: TCD-U-60-DC
- CHUTE WIDTH: 37"
- OVERALL WIDTH: 44"
- OVERALL LENGTH: 75"
- CHUTE DEPTH: 35 13/16"
- OVERALL ROTATED HEIGHT: 140 3/8"
- MAXIMUM ROTATED ANGLE: 45°
- DUMP HEIGHT: 60 3/16"
- MAX USABLE TOTE SIZE: 35" X 35" X 47 1/2"
- CAPACITY: 400 LBS.
- CASTERS:
 - REAR: (2), 8 X 2 GFN RIGID
 - FRONT: (2), 8 X 2 GFN SWIVEL
- TWO ADJUSTABLE FLOOR LOCKS
- COLOR: CHUTE - YELLOW
 FRAME - BLUE



* 3D ROTATED VIEW FOR REFERENCE ONLY *

SPECIAL FEATURES

NONE

DIMENSION TOLERANCE ± 1/4"

PLEASE CIRCLE SPECIFICATIONS:

POWER	AC	*DC (12V)*	AIR/OIL
MOTOR VOLTAGE	115	208	230 460
DEDICATED CIRCUIT REQUIRED			
MOTOR PHASE	SINGLE	THREE	
CONTROL	HAND	* FOOT	
~ ALL BATTERY CHARGERS ARE 115V AC ~			
* BATTERY CHRG.	REMOTE	ON-BOARD	
* CHRG. INDICATOR	YES	NO	

* AVAILABLE AT ADDITIONAL COST

A P P R O V A L	I, THE UNDERSIGNED, AGREE THAT THE PRODUCT AS REPRESENTED SATISFIES DESIGN AND DIMENSION REQUIREMENTS. I ALSO ACKNOWLEDGE MY DUTY TO CONFIRM PRODUCT AND INSTALLATION COMPLIANCE WITH ALL APPLICABLE FEDERAL, STATE AND LOCAL REGULATIONS AND STANDARDS.	
	ALL SPECIAL UNITS ARE NON-RETURNABLE [] As drawn [] As marked	
	Signed: _____	Date: _____
LEAD TIME WILL START UPON RECEIPT OF SIGNED APPROVAL DRAWING		

DISTRIBUTOR'S NAME:		P.O.#
VESTIL MANUFACTURING		X
		W.O.#
DRAWN BY: X		X
DATE: XX/XX/XX		SALES: X
REFERENCE: X	SCALE: 1:38	FILE NAME:
QUOTED LEAD TIME: X	QUOTE # X	34-007-033