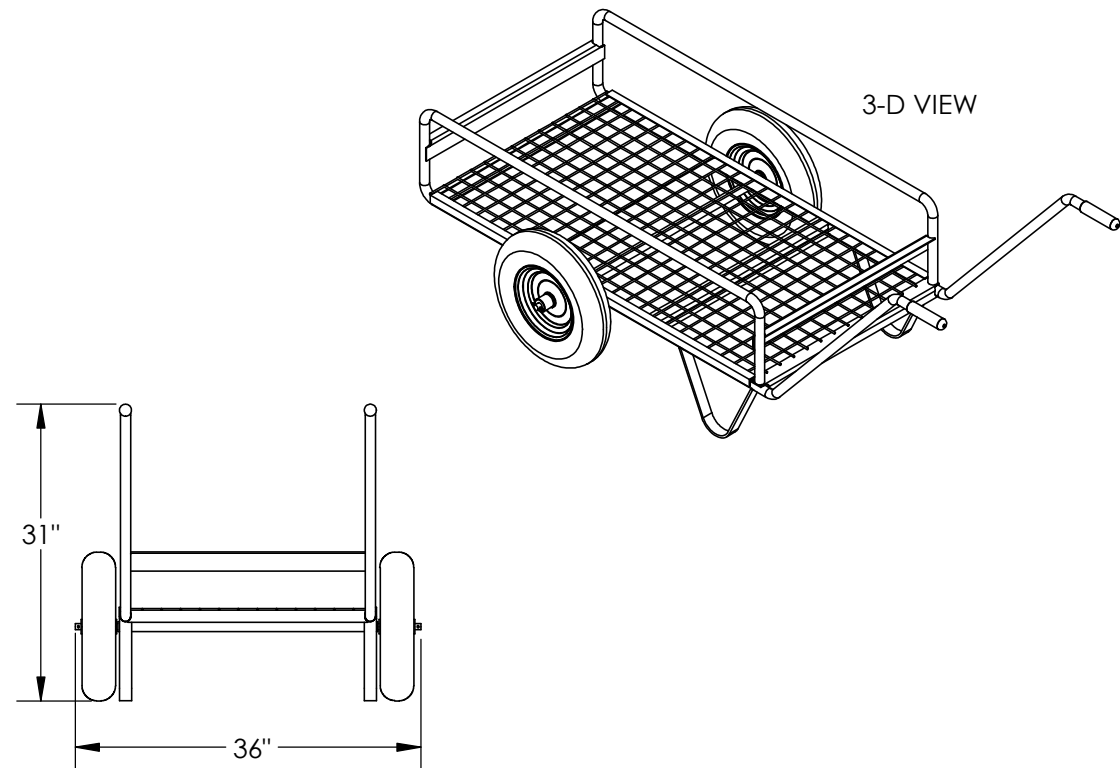
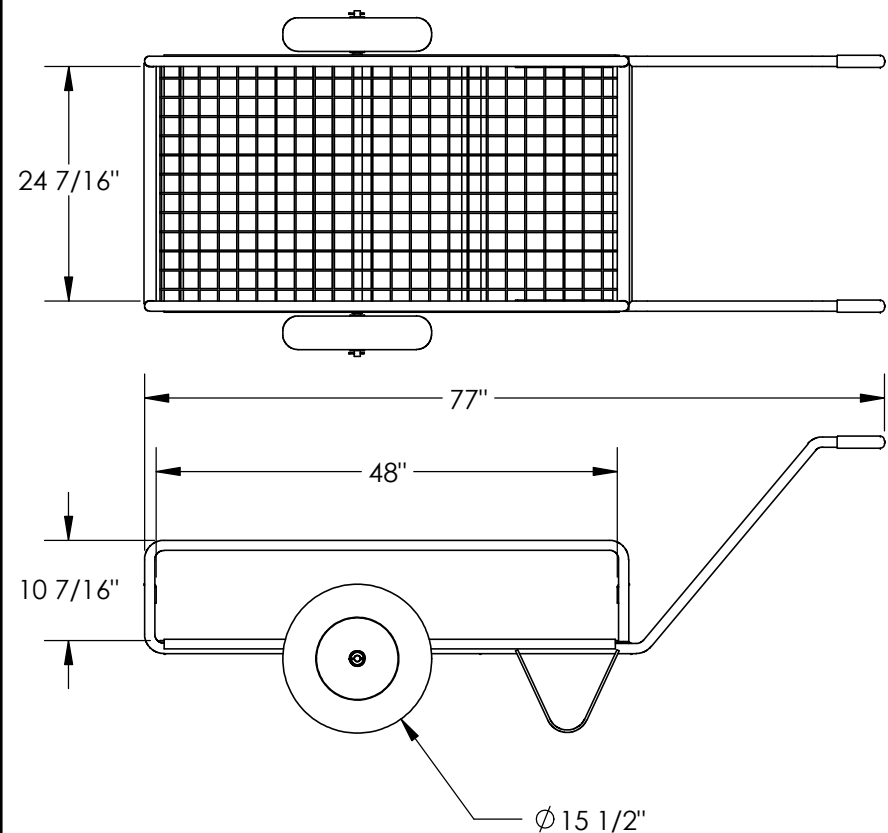


TILTING WORK TRUCK - TWT-2448-M

APPROX WEIGHT: 136 lbs.
DOES NOT INCLUDE WEIGHT OF POWER OR PACKAGING!!!

*** ANY ADDITIONS, DELETIONS, OR OMISSIONS MUST BE CORRECTED ON THIS DRAWING AS THIS DRAWING WILL BE CONSIDERED ALL INCLUSIVE ***

ALL GRAPHICS PROVIDED ARE FOR REFERENCE ONLY. IF CERTAIN DIMENSIONS ARE CRITICAL PLEASE VERIFY THOSE DIMENSIONS WITH YOUR SALESPERSON



DIMENSION TOLERANCE ± 1/4"

STANDARD FEATURES

- MODEL NUMBER IS TWT-2448-M
- OVERALL WIDTH IS 36"
- USABLE WIDTH IS 24 7/16"
- OVERALL LENGTH IS 77"
- USABLE LENGTH IS 48"
- OVERALL HEIGHT IS 31"
- Ø 15 1/2" SOLID BACK URETHANE FOAM WHEELS
- CAPACITY IS 500 LBS EVENLY DISTRIBUTED
- WELDED STEEL CONSTRUCTION
- TOUGH BAKED IN POWDER COATED BLUE FINISH

SPECIAL FEATURES

NONE

ANY MODIFIED UNITS ARE NON-RETURNABLE

[] As drawn [] As marked

Signed: _____ Date: _____

Printed Name: _____

LEAD TIME WILL START UPON RECEIPT OF SIGNED APPROVAL DRAWING

DISTRIBUTOR'S NAME:		P.O.#
VESTIL MANUFACTURING		X
DRAWN BY: MTS		W.O.#
DATE: 5/1/13		X
REFERENCE: X		SALES: X
QUOTED LEAD TIME: X		SCALE: 1:20
QUOTE # X		FILE NAME:
		16-007-359

FOR INTERNAL USE ONLY PROJECT SIGN OFF	
SALES	
ENG.	
FAB.	
POWER	

A P P R O V A L