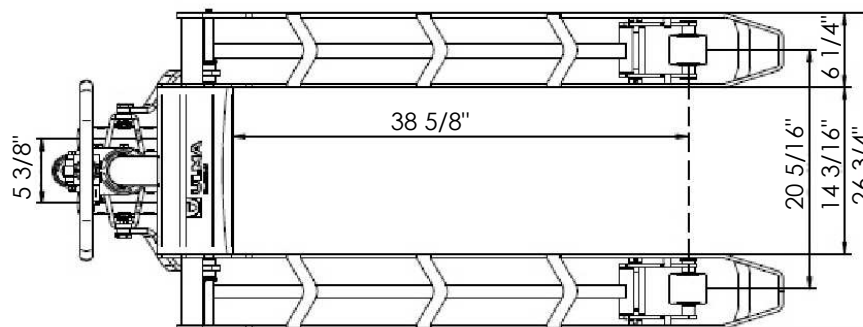
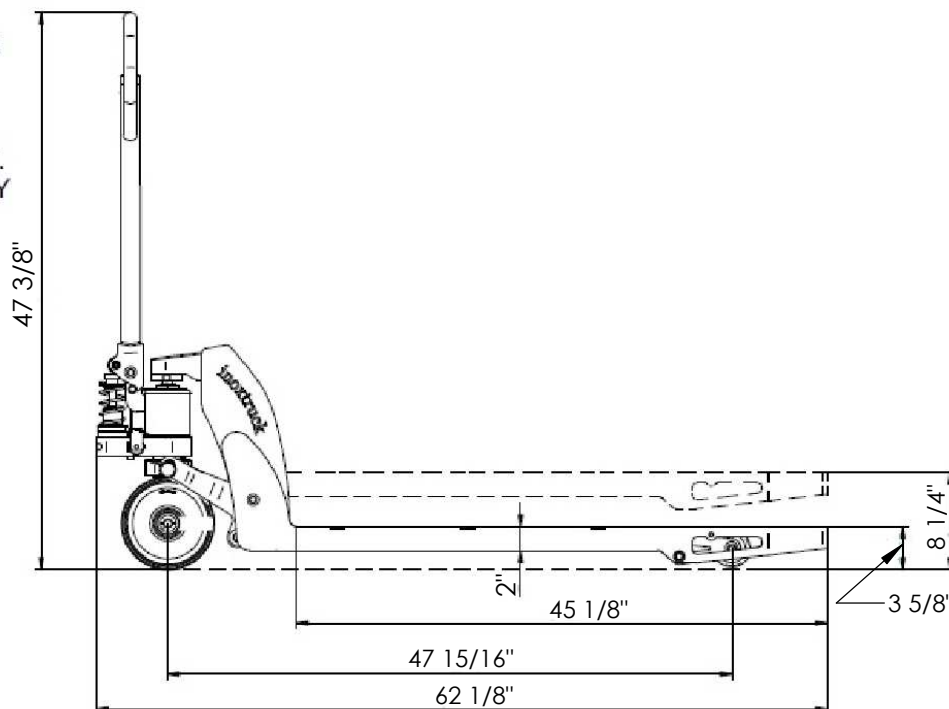
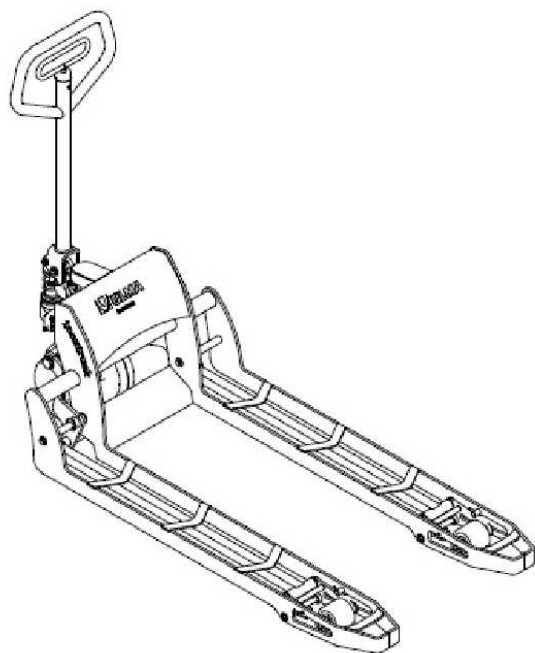


# STAINLESS STEEL PALLET TRUCK - ULM-PM-2745-30

APPROX WEIGHT: 161.9 lbs.  
DOES NOT INCLUDE WEIGHT OF POWER OR PACKAGING!!!

ANY ADDITIONS, DELETIONS, OR OMISSIONS MUST BE CORRECTED ON THIS DRAWING AS THIS DRAWING WILL BE CONSIDERED ALL INCLUSIVE.

ALL GRAPHICS PROVIDED ARE FOR REFERENCE ONLY. IF CERTAIN DIMENSIONS ARE CRITICAL PLEASE VERIFY THOSE DIMENSIONS WITH YOUR SALESPERSON.



## STANDARD FEATURES

MODEL NUMBER IS  
ULM-PM-2745-30

OVERALL WIDTH IS 26 3/4"  
OVERALL LENGTH IS 62 1/8"  
USABLE LENGTH IS 45 1/8"  
OVERALL HEIGHT IS 47 3/8"  
MAX CAPACITY IS 3300 LBS

## SPECIAL FEATURES

NONE

DIMENSION TOLERANCE ± 1/2"

APPROVAL

I, THE UNDERSIGNED, AGREE THAT THE PRODUCT AS REPRESENTED SATISFIES DESIGN AND DIMENSION REQUIREMENTS. I ALSO ACKNOWLEDGE MY DUTY TO CONFIRM PRODUCT AND INSTALLATION COMPLIANCE WITH ALL APPLICABLE FEDERAL, STATE AND LOCAL REGULATIONS AND STANDARDS.  
**UNITS REQUIRING APPROVAL DRAWINGS OR MODIFIED ARE NON-RETURNABLE**

As drawn       As marked

Signed: \_\_\_\_\_ Date: \_\_\_\_\_

Printed Name: \_\_\_\_\_

LEAD TIME WILL START UPON RECEIPT OF SIGNED APPROVAL DRAWING

DISTRIBUTOR'S NAME:		P.O.#
VESTIL MANUFACTURING		X
DRAWN BY:	DATE:	W.O.#
SJA	4/24/17	X
REFERENCE:	SCALE:	SALES:
X	1:48	X
QUOTED LEAD TIME:	QUOTE #	FILE NAME:
X	X	ULM-PM-2745-30