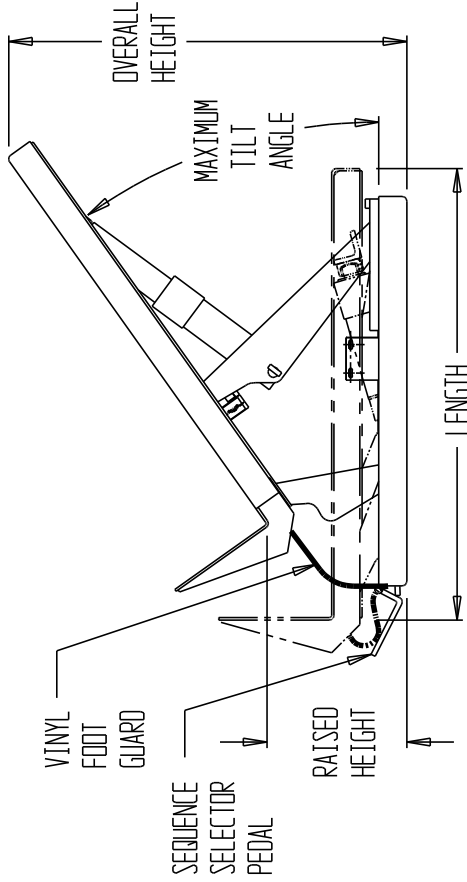
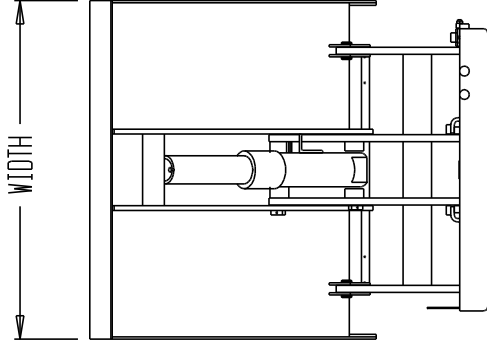


FOR INTERNAL USE ONLY PROJECT SIGN OFF	
SALES	
ENG	
FAB.	
POWER	

# UNI-TILT, UNI-3648-2



## STANDARD FEATURES

- MODEL NUMBER: UNI-3648-2
- CAPACITY: 2,000 LBS. EVENLY DISTRIBUTED
- SEQUENCE 1: RAISED HEIGHT: 12 1/4", TILT ANGLE: 40°
- OVERALL HEIGHT: 42 3/4"
- SEQUENCE 2: RAISED HEIGHT: 14 3/4", TILT ANGLE: 35°
- OVERALL HEIGHT: 42 1/4"
- LEVEL HEIGHT: 8"

- DECK SIZE: 36" W x 48" L WITH 12" LIP
- INTEGRAL MAINTENANCE LOCK
- ADJUSTABLE UPWARD TRAVEL LIMIT SWITCH
- 24 VAC CONTROL VOLTAGE
- PENDRNT CONTROL ON 8 ft COIL COED
- 2 HP 460/3/60 MOTOR W/ 2 ft PIGTAIL
- UNIT MUST BE LAGGED TO THE FLOOR
- WATER BASED ENAMEL PAINT, COLOR IS ERGO BLUE

## SPECIAL FEATURES

NONE

## PLEASE CIRCLE SPECIFICATIONS:

POWER	AC	<del>DC</del>	<del>12V</del>	<del>120V</del>	460
MOTOR VOLTAGE	115	200	230	460	
DEDICATED CIRCUIT REQUIRED				60 Hz	
MOTOR PHASE	<del>SINGLE</del>	THREE			
CONTROL	HAND			<del>FOOT</del>	

Deck tolerances +/- 1/2"  
Table height tolerances +/- 1/2"  
Deck Flatness +/- 1/4"

I, THE UNDERSIGNED, AGREE THAT THE PRODUCT AS REPRESENTED SATISFIES DESIGN & DIMENSION REQUIREMENTS. I ALSO ACKNOWLEDGE MY DUTY TO CONFIRM PRODUCT & INSTALLATION COMPLIANCE WITH ALL APPLICABLE FEDERAL, STATE AND LOCAL REGULATIONS & STANDARDS.

**ALL SPECIAL UNITS ARE NON-RETURNABLE**

( ) As drawn ( ) As marked  
Signed: \_\_\_\_\_ Date: \_\_\_\_\_

LEAD TIME WILL START UPON RECEIPT OF SIGNED APPROVAL DRAWING

DISTRIBUTOR'S NAME:

**VESTIL MFG**

Any additions, deletions or omissions must be corrected on this drawing, as this drawing will be considered all inclusive.

P.O.#: -

W.O.#: -

SALES: -

DATE: 1/13/16

DRWG./FILE NAME:

SCALE: 1/20

QUOTE #: -

UNI-3648-2

All graphics provided are for reference only. If certain dimensions are critical please verify those dimensions with your salesperson.