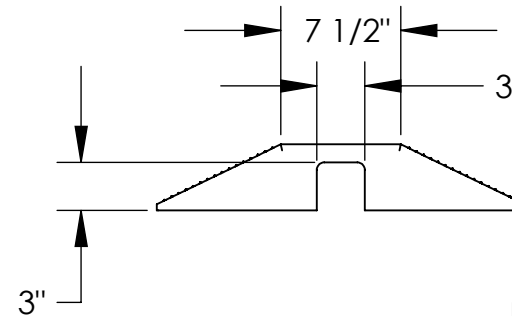
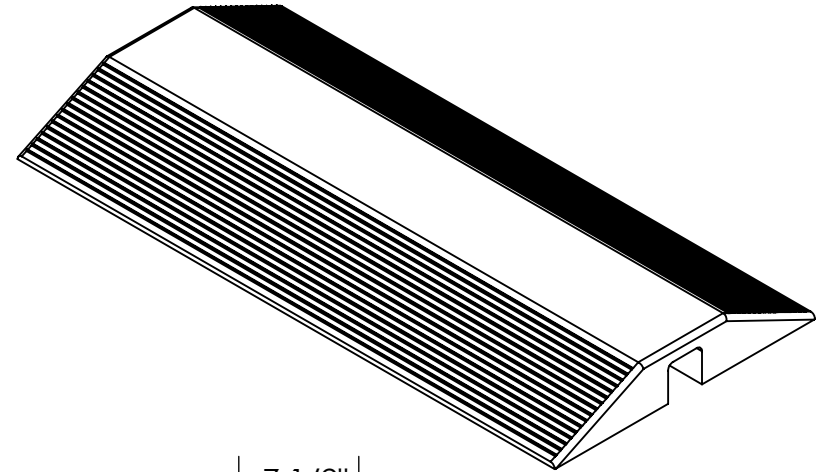
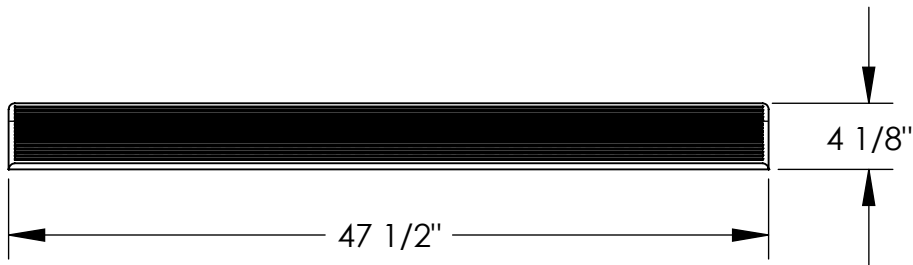
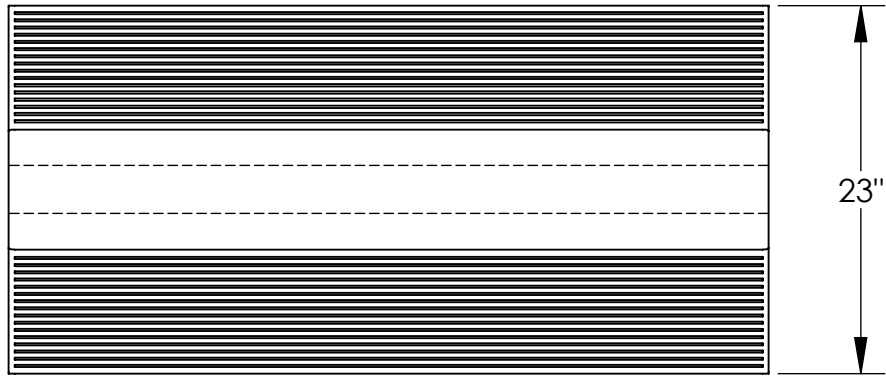


URETHANE HOSE & CABLE CROSSOVER RAMP - URTH-48

APPROX WEIGHT: 39 lbs.
DOES NOT INCLUDE WEIGHT OF POWER OR PACKAGING!!!

*** ANY ADDITIONS, DELETIONS, OR OMISSIONS MUST BE CORRECTED ON THIS DRAWING AS THIS DRAWING WILL BE CONSIDERED ALL INCLUSIVE ***
ALL GRAPHICS PROVIDED ARE FOR REFERENCE ONLY. IF CERTAIN DIMENSIONS ARE CRITICAL PLEASE VERIFY THOSE DIMENSIONS WITH YOUR SALESPERSON



DIMENSION TOLERANCE $\pm 1/2$ "

STANDARD FEATURES

- MODEL NUMBER IS: URTH-48
- OVERALL WIDTH IS: 23"
- OVERALL LENGTH IS: 47 1/2"
- OVERALL HEIGHT IS: 4 1/8"
- USABLE SPAN IS 3"W x 3"H
- TRACTION CLEATS ON RAMP SURFACE TO PREVENT SLIPPAGE
- DURABLE URETHANE CONSTRUCTION
- COLOR IS SAFETY ORANGE
- UNIT WILL ACCOMMODATE ANY HIGHWAY LEGAL VEHICLE UP TO AND INCLUDING FIRE ENGINES.
(DESIGNED FOR LIGHT TRAFFIC AND SLOW MOVING APPLICATIONS ONLY)

SPECIAL FEATURES

NONE

APPROVAL

I, THE UNDERSIGNED, AGREE THAT THE PRODUCT AS REPRESENTED SATISFIES DESIGN AND DIMENSION REQUIREMENTS. I ALSO ACKNOWLEDGE MY DUTY TO CONFIRM PRODUCT AND INSTALLATION COMPLIANCE WITH ALL APPLICABLE FEDERAL, STATE AND LOCAL REGULATIONS AND STANDARDS.
UNITS REQUIRING APPROVAL DRAWINGS OR MODIFIED ARE NON-RETURNABLE
[] As drawn [] As marked

Signed: _____ Date: _____

Printed Name: _____

LEAD TIME WILL START UPON RECEIPT OF SIGNED APPROVAL DRAWING

DISTRIBUTOR'S NAME:		P.O.#
VESTIL MANUFACTURING		X
DRAWN BY: TJM		W.O.#
DATE: 03/17/08		X
REFERENCE: X	SCALE: 1:12	SALES: X
QUOTED LEAD TIME: X	QUOTE #	FILE NAME:
	X	29-007-090