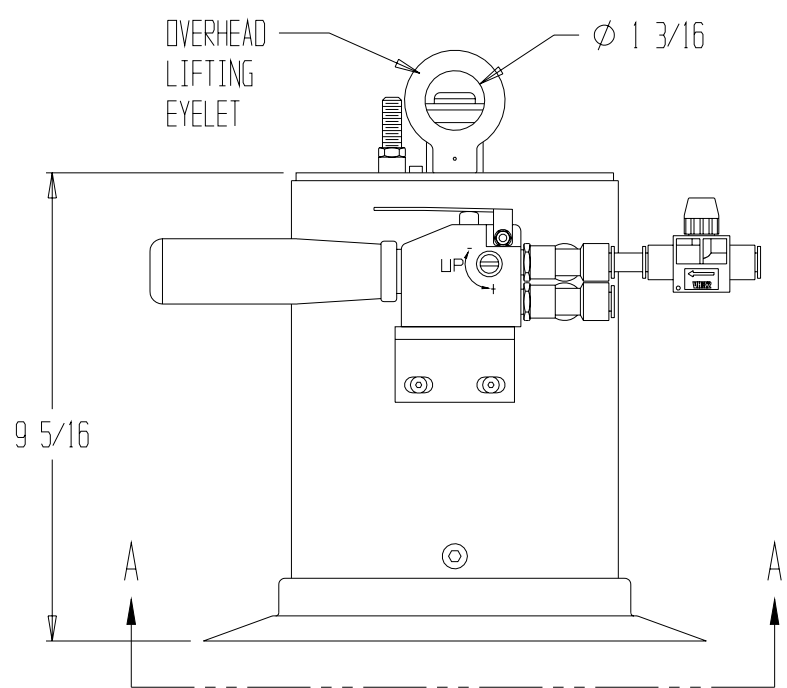
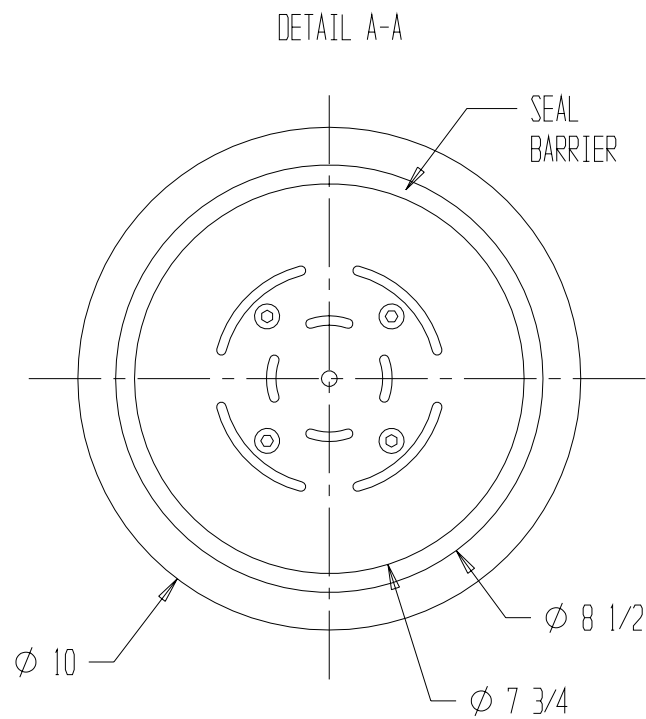
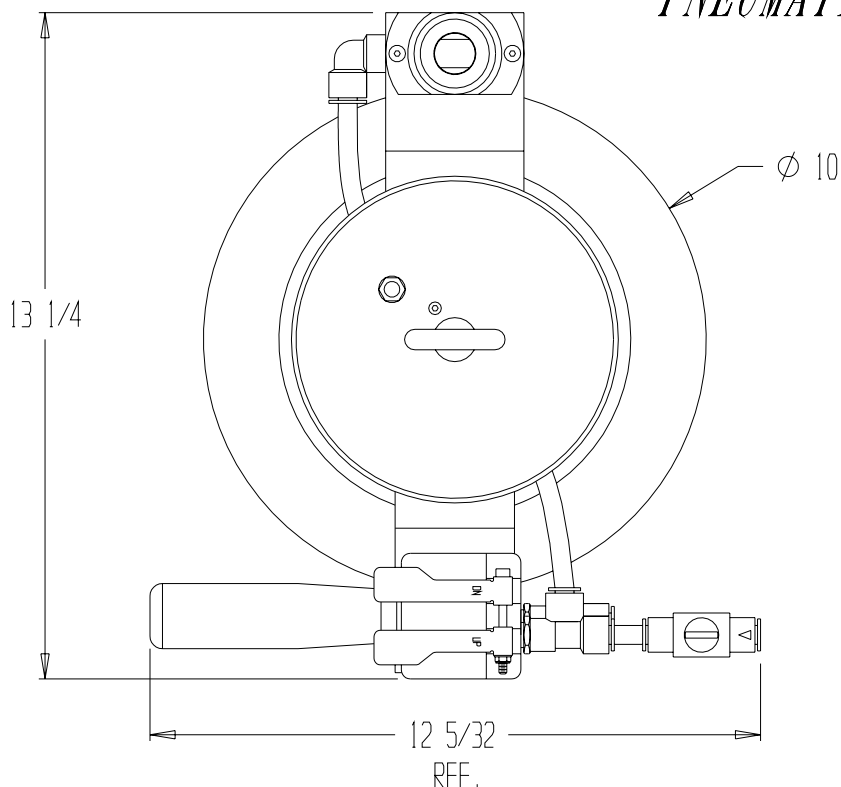


PNEUMATIC VACUUM LIFTER, VAC-6



LEAD TIME WILL START UPON RECEIPT OF SIGNED APPROVAL DRAWING

Any additions, deletions or omissions must be corrected on this drawing, as this drawing will be considered all inclusive.

*** ALL GRAPHICS PROVIDED ARE FOR REFERENCE ONLY. IF CERTAIN DIMENSIONS ARE CRITICAL PLEASE VERIFY THOSE DIMENSIONS WITH YOUR SALESPERSON. ***

STANDARD FEATURES

- MODEL NUMBER: VAC-6
- CAPACITY: 250 LBS.
- USABLE: ϕ 10" MIN.
- OVERALL WIDTH: 13 1/4"
- OVERALL LENGTH: 12 5/32"
- OVERALL HEIGHT: 9 5/16"

SPECIAL FEATURES

NONE

APPROVAL

I, the undersigned, hereby approve this print
 As drawn As marked
 This includes my approval of design & dimensions.
 Signed: _____
 Date: _____

**SPECIAL UNITS ARE NON-RETURNABLE
 *AVAILABLE AT ADDITIONAL COSTS

| | | |
|--|------------|---------------------------|
| DISTRIBUTOR'S NAME: VESTIL MANUFACTURING | | P.O.#: _ |
| DRAWN BY: SR | | W.O.#: _ |
| DATE: 1-19-07 | | SALES: - |
| REFERENCE: - | SCALE: 1:4 | DRWG./FILE NAME: VAC-6 |