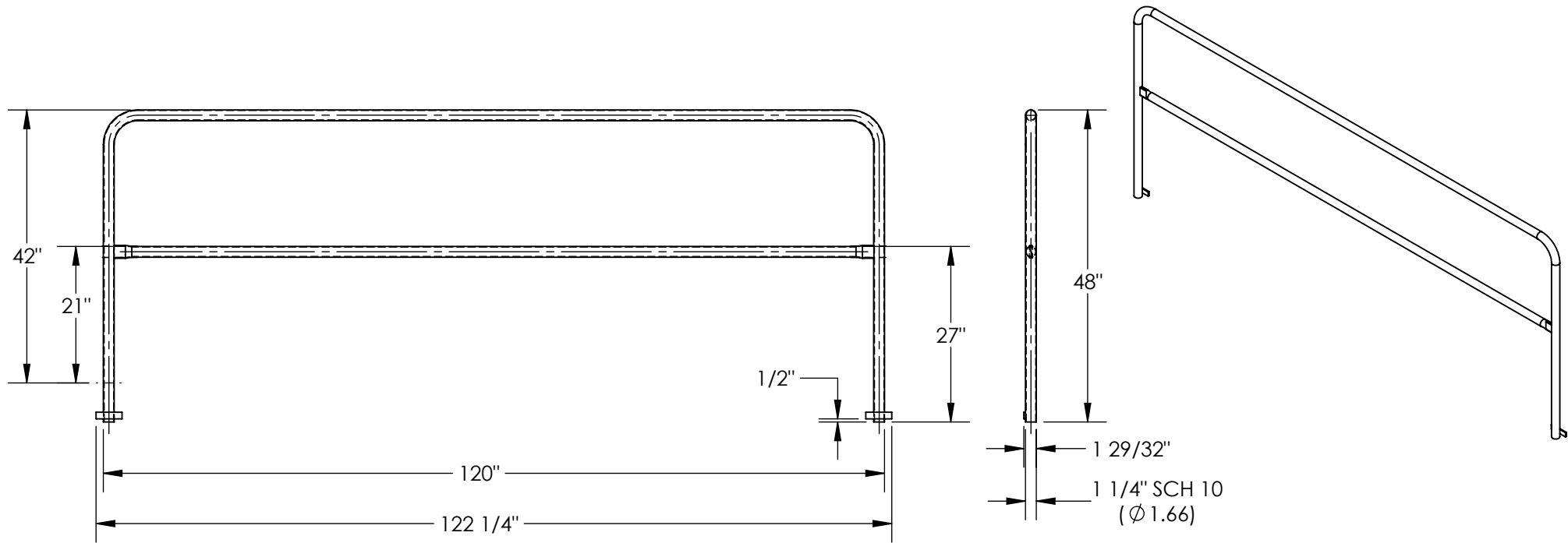


# STEEL RAILING 120 IN POUR IN PLACE: VDKR-PP-10

APPROX WEIGHT: 49.55 lbs.  
 DOES NOT INCLUDE WEIGHT OF POWER OR PACKAGING!!!

\*\*\* ANY ADDITIONS, DELETIONS, OR OMISSIONS MUST BE CORRECTED ON THIS DRAWING AS THIS DRAWING WILL BE CONSIDERED ALL INCLUSIVE \*\*\*

ALL GRAPHICS PROVIDED ARE FOR REFERENCE ONLY. IF CERTAIN DIMENSIONS ARE CRITICAL PLEASE VERIFY THOSE DIMENSIONS WITH YOUR SALESPERSON



DIMENSION TOLERANCE ± 1/4"

## STANDARD FEATURES

MODEL NUMBER: VDKR-PP-10  
 USABLE HEIGHT: 42"  
 OVERALL HEIGHT: 48"  
 USABLE MID RAIL HEIGHT: 21"  
 OVERALL MID RAIL HEIGHT: 27"  
 USABLE LENGTH: 120"  
 OVERALL LENGTH: 122 1/4"  
 HANDRAIL DIAMETER: Ø1 5/8"  
 DURABLE BAKED IN POWDER  
 COAT YELLOW FINISH

## SPECIAL FEATURES

NONE

<b>A P P R O V A L</b>	I, THE UNDERSIGNED, AGREE THAT THE PRODUCT AS REPRESENTED SATISFIES DESIGN AND DIMENSION REQUIREMENTS. I ALSO ACKNOWLEDGE MY DUTY TO CONFIRM PRODUCT AND INSTALLATION COMPLIANCE WITH ALL APPLICABLE FEDERAL, STATE AND LOCAL REGULATIONS AND STANDARDS.	
	<b>UNITS REQUIRING APPROVAL DRAWINGS OR MODIFIED ARE NON-RETURNABLE</b>	
	[ ] As drawn      [ ] As marked	
	Signed: _____ Date: _____	
Printed Name: _____		
<i>LEAD TIME WILL START UPON RECEIPT OF SIGNED APPROVAL DRAWING</i>		

DISTRIBUTOR'S NAME:		P.O.#
<b>VESTIL MANUFACTURING</b>		X
		W.O.#
DRAWN BY: EAG		X
DATE: 6/3/2025		SALES: X
REFERENCE: X	SCALE: 1:23	FILE NAME:
QUOTED LEAD TIME: X	QUOTE # X	23-007-929