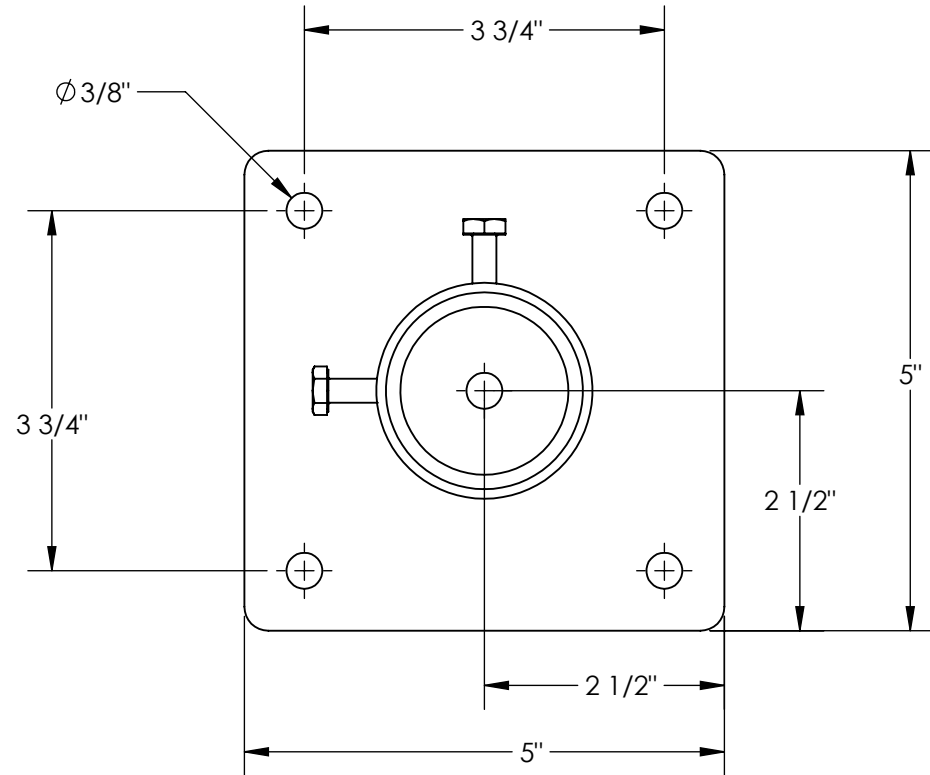
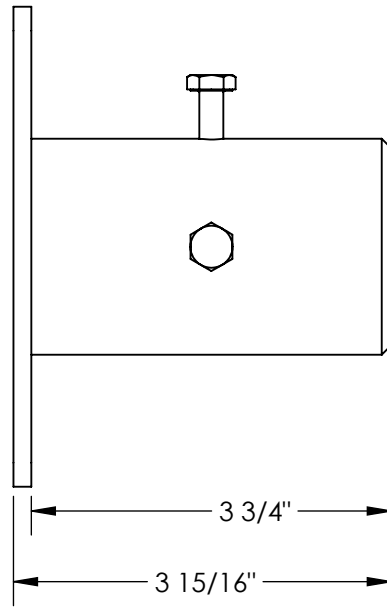


# STEEL SINGLE SOCKET W/O TOEBOARD- VDKR-W-101

APPROX WEIGHT: 3 lbs.  
 DOES NOT INCLUDE WEIGHT OF POWER OR PACKAGING!!!

\*\*\* ANY ADDITIONS, DELETIONS, OR OMISSIONS MUST BE CORRECTED ON THIS DRAWING AS THIS DRAWING WILL BE CONSIDERED ALL INCLUSIVE \*\*\*

ALL GRAPHICS PROVIDED ARE FOR REFERENCE ONLY. IF CERTAIN DIMENSIONS ARE CRITICAL PLEASE VERIFY THOSE DIMENSIONS WITH YOUR SALESPERSON



## STANDARD FEATURES

- MODEL NUMBER IS VDKR-W-101
- OVERALL WIDTH IS 5"
- OVERALL LENGTH IS 5"
- OVERALL HEIGHT IS 3 15/16"
- FOR USE WITH 1 5/8" O.D. HANDRAILS (MODELS VDKR/ADKR)
- VDKR/ADKR MODELS COME STANDARD WITH 42" TOP RAILS AND 21" MIDRAILS HEIGHTS
- FOUR  $\phi 3/8$ " FLOOR MOUNTING HOLES
- GALVANIZE FINISH

## SPECIAL FEATURES

NONE

DIMENSION TOLERANCE  $\pm 1/2$ "

<b>APPROVAL</b>	I, THE UNDERSIGNED, AGREE THAT THE PRODUCT AS REPRESENTED SATISFIES DESIGN AND DIMENSION REQUIREMENTS. I ALSO ACKNOWLEDGE MY DUTY TO CONFIRM PRODUCT AND INSTALLATION COMPLIANCE WITH ALL APPLICABLE FEDERAL, STATE AND LOCAL REGULATIONS AND STANDARDS.	
	<b>ANY MODIFIED UNITS ARE NON-RETURNABLE</b>	
	[ ] As drawn      [ ] As marked	
	Signed: _____ Date: _____	
Printed Name: _____		
<b>LEAD TIME WILL START UPON RECEIPT OF SIGNED APPROVAL DRAWING</b>		

FOR INTERNAL USE ONLY PROJECT SIGN OFF	
SALES	
ENG.	
FAB.	
POWER	

DISTRIBUTOR'S NAME:		P.O.#
VESTIL MANUFACTURING		X
DRAWN BY: TAL		W.O.#
DATE: 8/14/2019		X
REFERENCE: X	SCALE: 1:2	SALES: X
QUOTED LEAD TIME: X	QUOTE #	FILE NAME:
	X	23-007-722