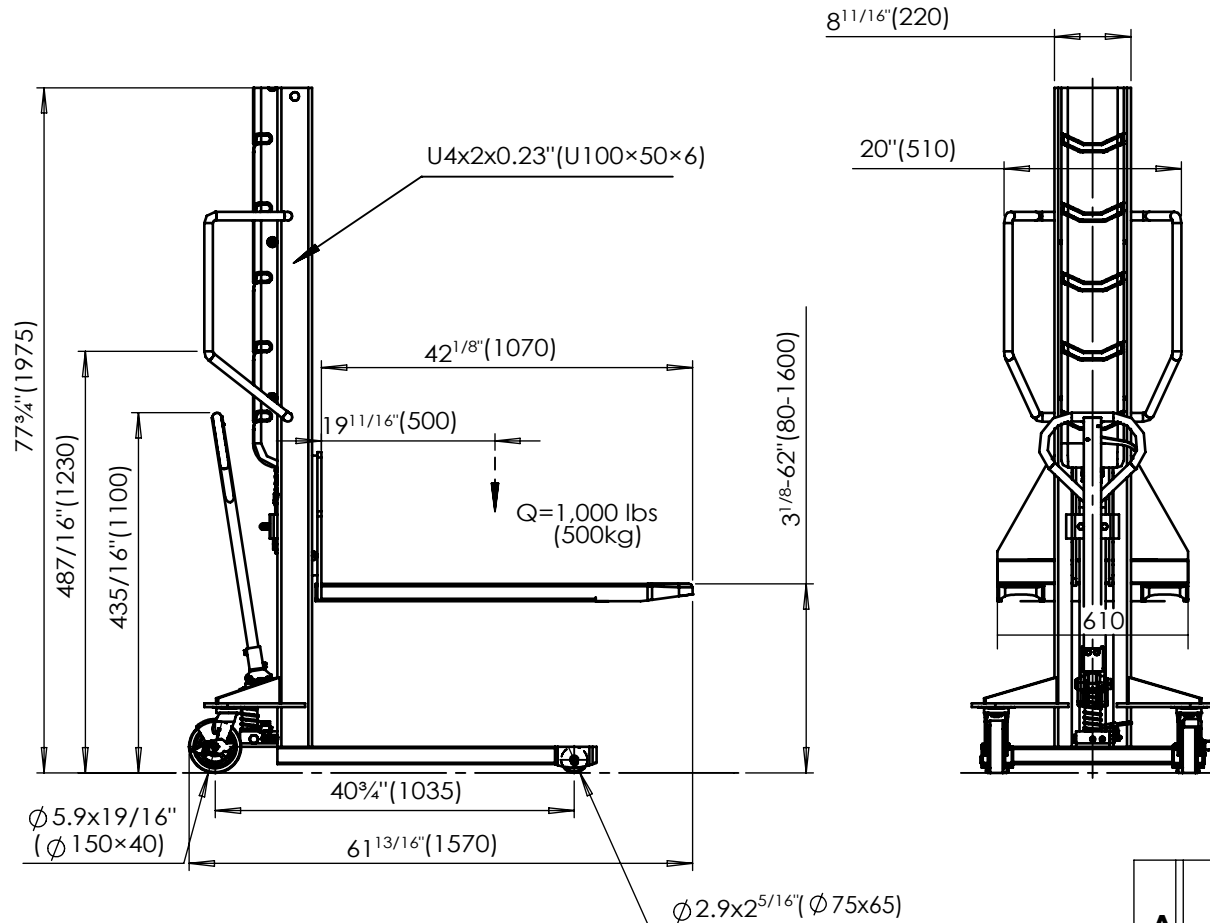


MANUAL NARROW MAST HYDRAULIC STACKER, FIXED FORK OVER FIXED LEGS - VHPS-NM-1000-FF

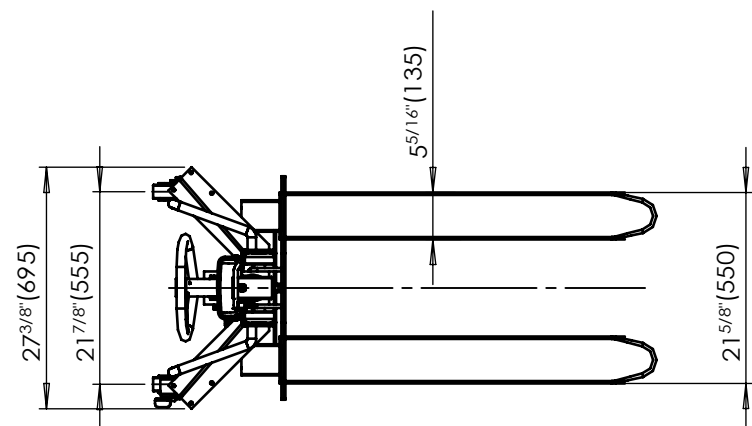
*** ANY ADDITIONS, DELETIONS, OR OMISSIONS MUST BE CORRECTED ON THIS DRAWING AS THIS DRAWING WILL BE CONSIDERED ALL INCLUSIVE ***
 ALL GRAPHICS PROVIDED ARE FOR REFERENCE ONLY. IF CERTAIN DIMENSIONS ARE CRITICAL PLEASE VERIFY THOSE DIMENSIONS WITH YOUR SALESPERSON



FEATURES

- MODEL NUMBER: VHPS-NM-1000-FF
- CAPACITY: 1,000 LBS
- LIFT HEIGHT: 62"
- LOWERED HEIGHT: 3 1/8"
- FIXED FORKS OVER FIXED LEGS
- SINGLE MAST
- PUMPS TO RAISE MAST TO MAX HEIGHT: 74 *7/8" STROKE PER PUMP
- DOWN TIME LOADED/UNLOADED: 20s/18s
- OVERALL MAST HEIGHT: 78"
- TOUGH BAKED IN POWDER COATED YELLOW & BLACK FINISH

DIMENSION TOLERANCE ± 1/2"



APPROVAL

I, THE UNDERSIGNED, AGREE THAT THE PRODUCT AS REPRESENTED SATISFIES DESIGN AND DIMENSION REQUIREMENTS. I ALSO ACKNOWLEDGE MY DUTY TO CONFIRM PRODUCT AND INSTALLATION COMPLIANCE WITH ALL APPLICABLE FEDERAL, STATE AND LOCAL REGULATIONS AND STANDARDS.

UNITS REQUIRING APPROVAL DRAWINGS OR MODIFIED ARE NON-RETURNABLE

As drawn As marked

Signed: _____ Date: _____

Printed Name: _____

LEAD TIME WILL START UPON RECEIPT OF SIGNED APPROVAL DRAWING

FOR INTERNAL USE ONLY PROJECT SIGN OFF	
SALES	
ENG.	
FAB.	
POWER	

DISTRIBUTOR'S NAME:		P.O.#
VESTIL MANUFACTURING		X
DRAWN BY: TM		W.O.#
DATE: 4/27/2020		X
REFERENCE: X	SCALE: 1:2	SALES: X
QUOTED LEAD TIME: X	QUOTE #	FILE NAME:
	X	VHPS-NM-1000-FF