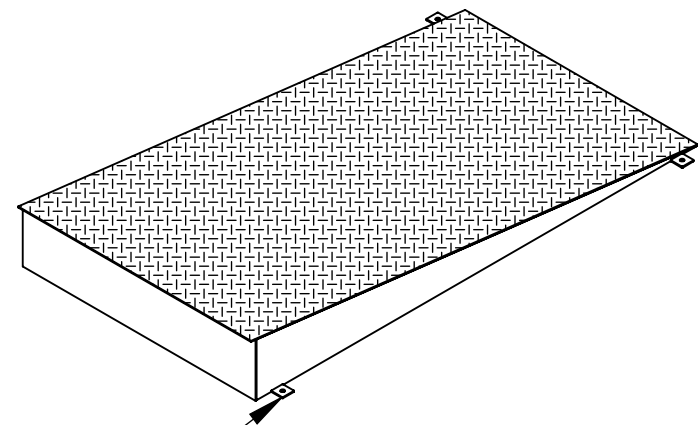
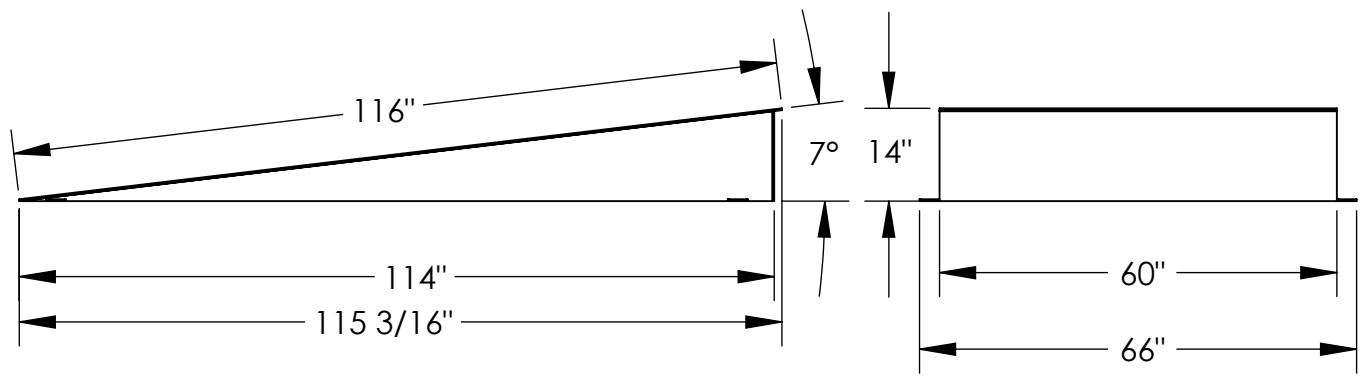


# WL-100 APPROACH RAMP - WL-AR14

APPROX WEIGHT: 772.29 lbs.  
 DOES NOT INCLUDE WEIGHT OF POWER OR PACKAGING!!!

\*\*\* ANY ADDITIONS, DELETIONS, OR OMISSIONS MUST BE CORRECTED ON THIS DRAWING AS THIS DRAWING WILL BE CONSIDERED ALL INCLUSIVE \*\*\*  
 ALL GRAPHICS PROVIDED ARE FOR REFERENCE ONLY. IF CERTAIN DIMENSIONS ARE CRITICAL PLEASE VERIFY THOSE DIMENSIONS WITH YOUR SALESPERSON



BOLT DOWN BRACKETS  
 APPROACH RAMPS MUST BE  
 ANCHORED TO THE FLOOR  
 (HARDWARE NOT INCLUDED)

## STANDARD FEATURES

- MODEL NUMBER IS WL-AR14
- OVERALL WIDTH IS 66"
- USABLE WIDTH IS 60"
- OVERALL LENGTH IS 115 3/16"
- USABLE LENGTH IS 116"
- OVERALL HEIGHT IS 14"
- FOR 14" LOWERED HEIGHT LIFTS
- RAMP IS 60" WIDE X 116" LONG
- 7° RAMP ANGLE
- WELDED STEEL CONSTRUCTION
- COLOR IS BROWN

## SPECIAL FEATURES

NONE

<b>A P P R O V A L</b>	I, THE UNDERSIGNED, AGREE THAT THE PRODUCT AS REPRESENTED SATISFIES DESIGN AND DIMENSION REQUIREMENTS. I ALSO ACKNOWLEDGE MY DUTY TO CONFIRM PRODUCT AND INSTALLATION COMPLIANCE WITH ALL APPLICABLE FEDERAL, STATE AND LOCAL REGULATIONS AND STANDARDS.	
	<b>ANY MODIFIED UNITS ARE NON-RETURNABLE</b>	
	[ ] As drawn      [ ] As marked	
	Signed: _____	Date: _____
Printed Name: _____		
<b>LEAD TIME WILL START UPON RECEIPT OF SIGNED APPROVAL DRAWING</b>		

FOR INTERNAL USE ONLY PROJECT SIGN OFF	
SALES	
ENG.	
FAB.	
POWER	

DISTRIBUTOR'S NAME:		P.O.#
<b>VESTIL MANUFACTURING</b>		X
DRAWN BY: ND	DATE: 9/21/09	W.O.#
REFERENCE: X	SCALE: 1:29	X
QUOTED LEAD TIME: X	QUOTE #	FILE NAME:
	X	05-007-042