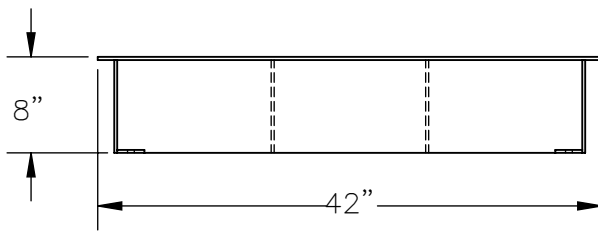
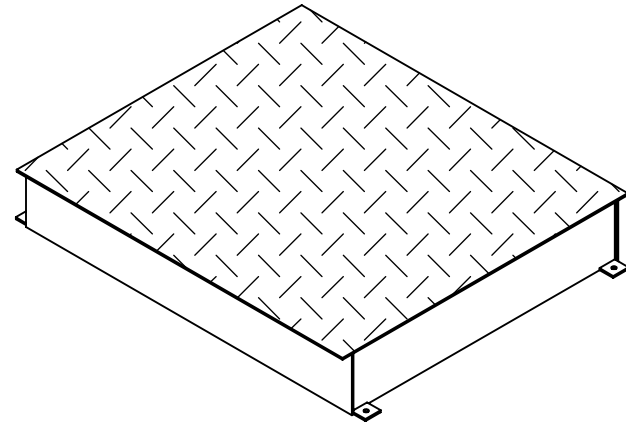
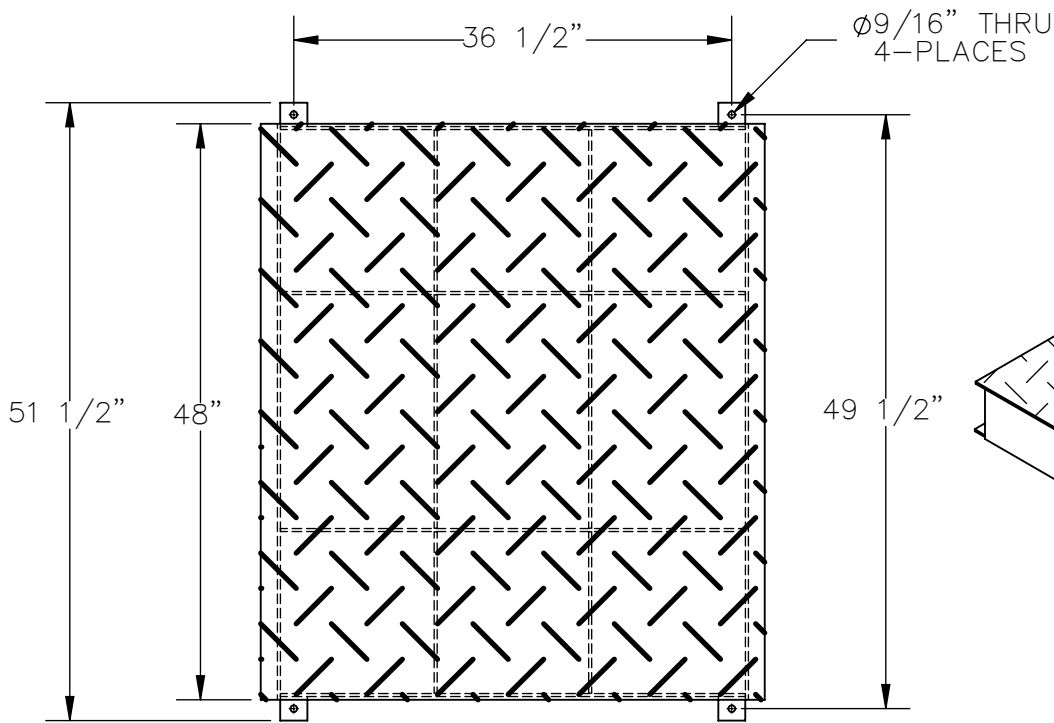


# WL-100 APPROACH RAMP SPACER - WL-AR8-RS-48

APPROX WEIGHT: 332.95 lbs.  
 DOES NOT INCLUDE WEIGHT OF POWER OR PACKAGING!!!

\*\*\*ANY ADDITIONS, DELETIONS, OR OMISSIONS MUST BE CORRECTED ON THIS DRAWING AS THIS DRAWING WILL BE CONSIDERED ALL INCLUSIVE\*\*\*



ALL GRAPHICS PROVIDED ARE FOR REFERENCE ONLY. IF CERTAIN DIMENSIONS ARE CRITICAL PLEASE VERIFY THOSE DIMENSIONS WITH YOUR SALESPERSON

## STANDARD FEATURES

- MODEL NUMBER IS WL-AR8-RS-48
- OVERALL WIDTH IS 51 1/2"
- USABLE WIDTH IS 48"
- OVERALL LENGTH IS 42"
- OVERALL HEIGHT IS 8"
- MAX CAPACITY IS 4,000LBS
- RISE 8"

DIMENSION TOLERANCE ±1/4"

## SPECIAL FEATURES

NONE

IT IS THE END-USER'S RESPONSIBILITY TO DETERMINE IF THE ABOVE RAMP SLOPE WILL FUNCTION WITH THEIR PALLET TRUCK TO LOAD & UNLOAD PRODUCT ONTO THE WL-100 OR EHLT UNIT

<b>APPROVAL</b>	I, THE UNDERSIGNED, AGREE THAT THE PRODUCT AS REPRESENTED SATISFIES DESIGN AND DIMENSION REQUIREMENTS. I ALSO ACKNOWLEDGE MY DUTY TO CONFIRM PRODUCT AND INSTALLATION COMPLIANCE WITH ALL APPLICABLE FEDERAL, STATE AND LOCAL REGULATIONS AND STANDARDS.	
	<b>ANY MODIFIED UNITS ARE NON-RETURNABLE</b>	
	[ ] As drawn      [ ] As marked	
	Signed: _____ Date: _____	
Printed Name: _____		
<i>LEAD TIME WILL START UPON RECEIPT OF SIGNED APPROVAL DRAWING</i>		

FOR INTERNAL USE ONLY PROJECT SIGN OFF		DISTRIBUTOR'S NAME:		P.O.#
		<b>VESTIL MANUFACTURING</b>		X
SALES		DRAWN BY: BCN		W.O.#
ENG.		DATE: 10/18/2018		X
FAB.		REFERENCE: X	SCALE: 1:16	SALES: X
POWER		QUOTED LEAD TIME: X	QUOTE # X	FILE NAME:
				05-007-056