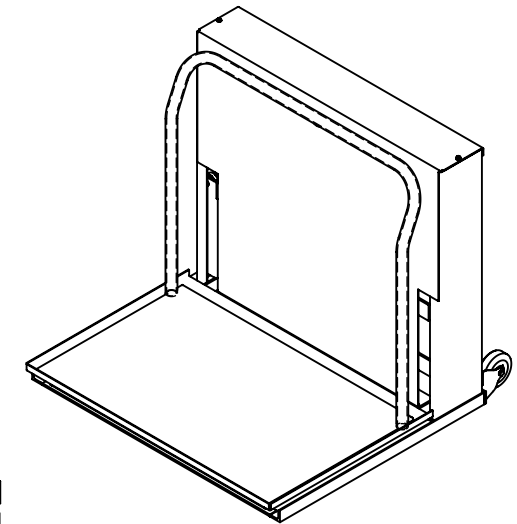
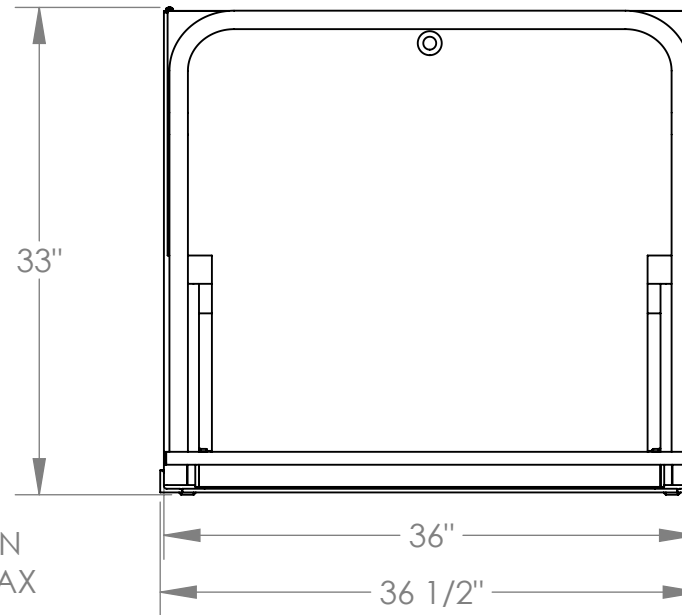
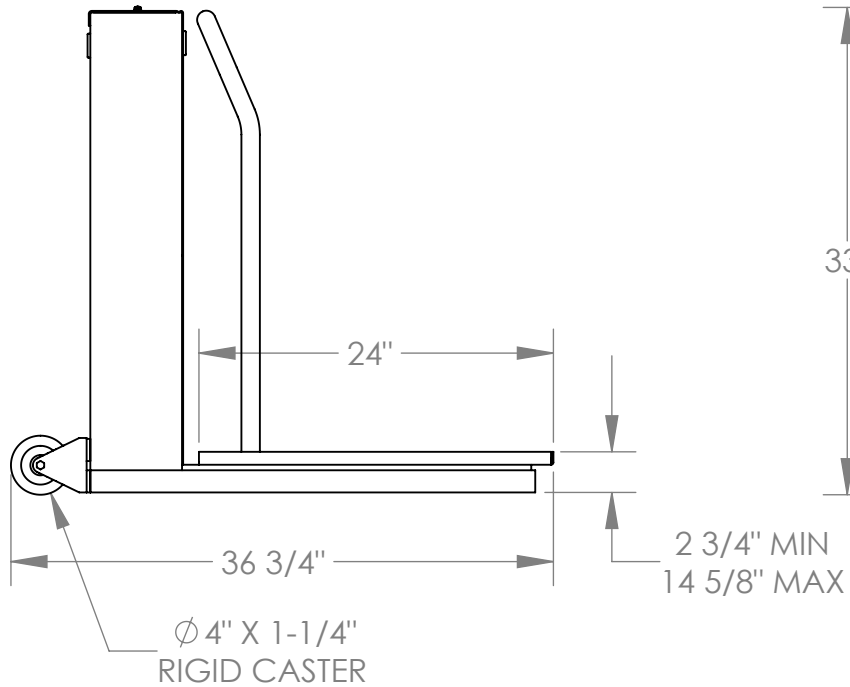


LINEARIZER ELECTRIC WORKER PLATFORM - WP-400-DC

APPROX WEIGHT: 235.96 lbs.
 DOES NOT INCLUDE WEIGHT OF POWER OR PACKAGING!!!

*** ANY ADDITIONS, DELETIONS, OR OMISSIONS MUST BE CORRECTED ON THIS DRAWING AS THIS DRAWING WILL BE CONSIDERED ALL INCLUSIVE ***

ALL GRAPHICS PROVIDED ARE FOR REFERENCE ONLY. IF CERTAIN DIMENSIONS ARE CRITICAL PLEASE VERIFY THOSE DIMENSIONS WITH YOUR SALESPERSON



3D VIEW SHOWN FOR REFERENCE ONLY

STANDARD FEATURES

- MODEL NUMBER IS WP-400-DC
- CAPACITY: 400 LBS.
- OVERALL WIDTH IS 36 1/2"
- USABLE WIDTH IS 36"
- OVERALL LENGTH IS 36 3/4"
- USABLE LENGTH IS 24"
- OVERALL HEIGHT IS 33"
- LOWERED HEIGHT: 2 3/4"
- RAISED HEIGHT: 14 5/8"
- (2) Ø4" X 1 1/4" POLY-ON-POLY RIGID CASTERS

SPECIAL FEATURES

NONE

DIMENSION TOLERANCE ± 1/4"

APPROVAL	I, THE UNDERSIGNED, AGREE THAT THE PRODUCT AS REPRESENTED SATISFIES DESIGN AND DIMENSION REQUIREMENTS. I ALSO ACKNOWLEDGE MY DUTY TO CONFIRM PRODUCT AND INSTALLATION COMPLIANCE WITH ALL APPLICABLE FEDERAL, STATE AND LOCAL REGULATIONS AND STANDARDS.	
	ANY MODIFIED UNITS ARE NON-RETURNABLE	
	[] As drawn [] As marked	
	Signed: _____	Date: _____
Printed Name: _____		
<i>LEAD TIME WILL START UPON RECEIPT OF SIGNED APPROVAL DRAWING</i>		

STANDARD POWER FEATURES

- 12V DC LINEAR ACTUATOR W/ HAND HELD PENDANT CONTROL ON A 6' CORD

FOR INTERNAL USE ONLY PROJECT SIGN OFF		DISTRIBUTOR'S NAME:		P.O.#
SALES		VESTIL MANUFACTURING		X
ENG.		DRAWN BY: ND	DATE: 1/14/15	W.O.# X
FAB.		REFERENCE: X	SCALE: 1:13	SALES: X
POWER		QUOTED LEAD TIME: X	QUOTE # X	FILE NAME: 21-007-002-001