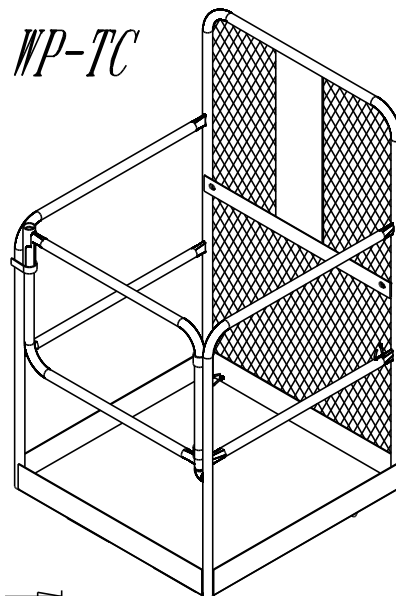
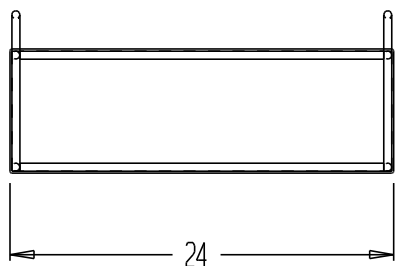
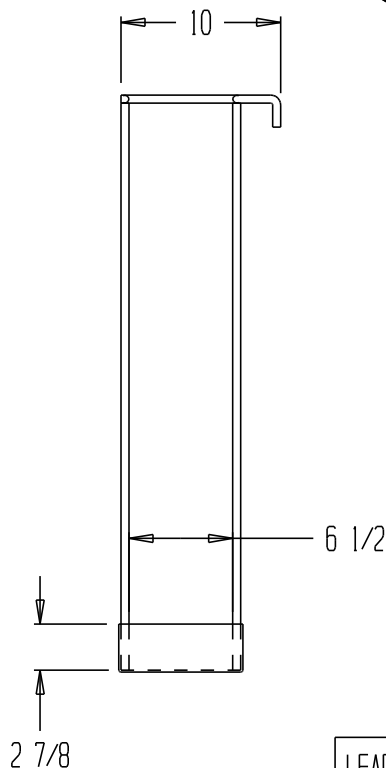
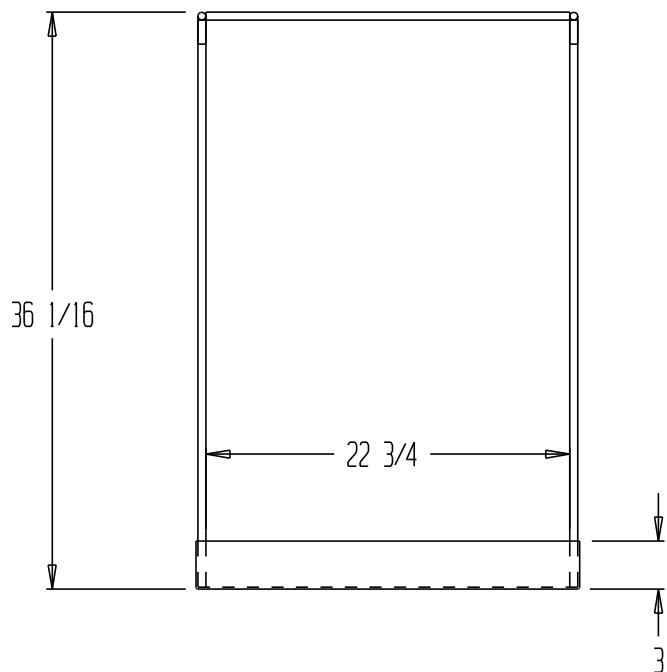


FLUORESCENT TUBE CADDY FOR WORK PLATFORM, WP-TC



3-D WORK PLATFORM
SHOWN FOR REFERENCE ONLY
NOT INCLUDED



STANDARD FEATURES

MODEL NUMBER: WP-TC
 USABLE CADDY SIZE: 6 1/2" W x 22 3/4" L
 OVERALL WIDTH: 10"
 OVERALL LENGTH: 24"
 OVERALL HEIGHT: 36 1/16"

SPECIAL FEATURES

NONE

LEAD TIME WILL START UPON
RECEIPT OF SIGNED APPROVAL
DRAWING

APPROVAL

I, the undersigned, hereby approve this print
 As drawn As marked
 This includes my approval of design & dimensions.
 Signed: _____
 Date: _____

**SPECIAL UNITS ARE NON-RETURNABLE
 *AVAILABLE AT ADDITIONAL COSTS

DISTRIBUTOR'S NAME: VESTIL MANUFACTURING		P.O.#: _
DRAWN BY: SR		W.O.#: _
DATE: 4-15-05		SALES: -
REFERENCE: -	SCALE: 1:12	DRWG./FILE NAME: WP-TC