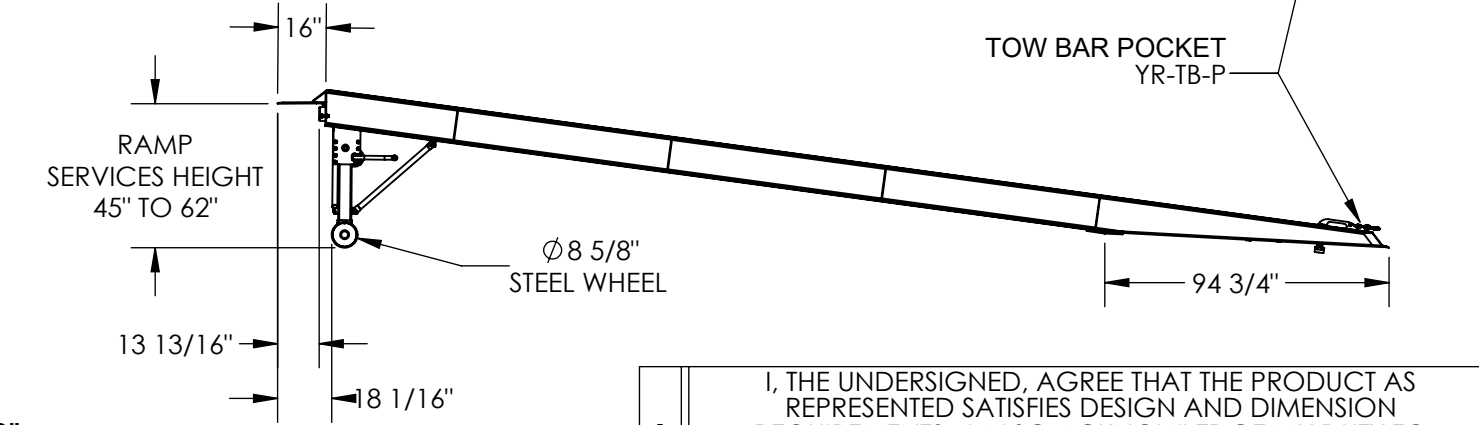
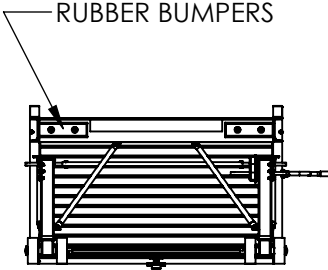
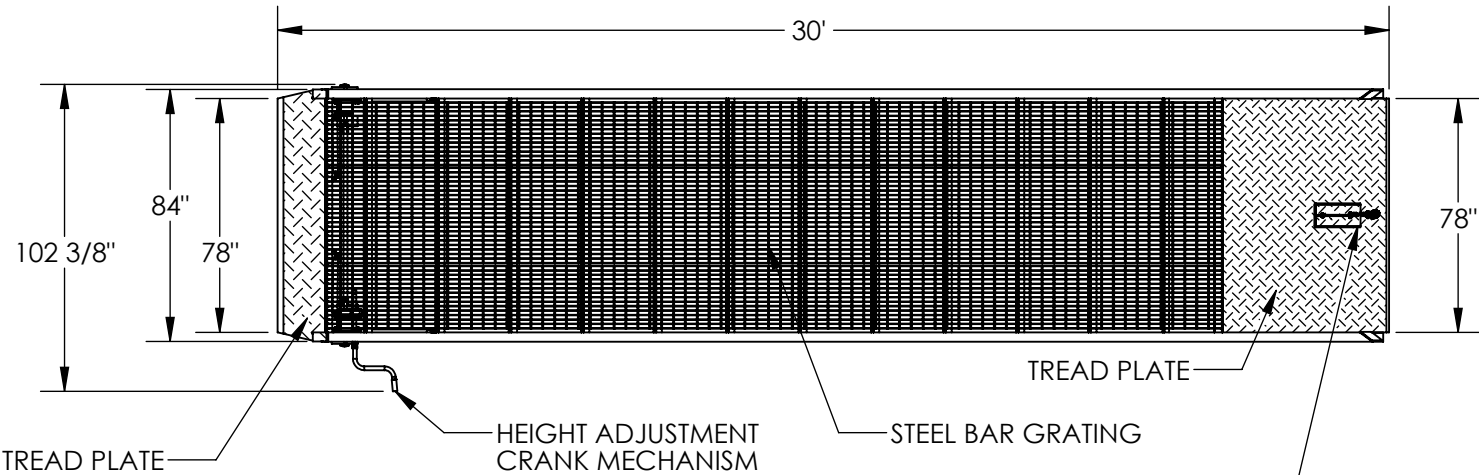
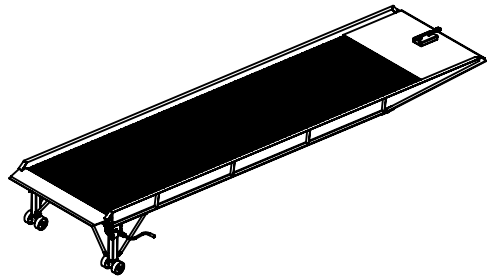


# STEEL YARD RAMP - YR-16-8430

APPROX WEIGHT: 5175.35 lbs.  
 DOES NOT INCLUDE WEIGHT OF POWER OR PACKAGING!!!

\*\*\* ANY ADDITIONS, DELETIONS, OR OMISSIONS MUST BE CORRECTED ON THIS DRAWING AS THIS DRAWING WILL BE CONSIDERED ALL INCLUSIVE \*\*\*  
 ALL GRAPHICS PROVIDED ARE FOR REFERENCE ONLY. IF CERTAIN DIMENSIONS ARE CRITICAL PLEASE VERIFY THOSE DIMENSIONS WITH YOUR SALESPERSON



## STANDARD FEATURES

- MODEL NUMBER IS YR-16-8430
- OVERALL RAMP WIDTH IS 102 3/8"
- USABLE RAMP WIDTH IS 78"
- OVERALL LENGTH IS 370 1/2"
- RAMP SERVICE HEIGHT IS 45" TO 62"
- RAMP CAPACITY IS 16,000 LBS.
- 4" HIGH SAFETY CURBS WITH SLOPED ENDS
- SAFETY CHAIN STANDARD ( NOT SHOWN )
- OVERALL LIP SUPPORT EDGE IS 16"
- USABLE LIP SUPPORT EDGE IS 13 13/16"
- 8 5/8" STEEL WHEELS
- INCLUDES TOW BAR POCKET, MODEL # YR-TB-P
- DURABLE LIQUID PAINT BROWN FINISH

## SPECIAL FEATURES

NONE

DIMENSION TOLERANCE ± 1"

I, THE UNDERSIGNED, AGREE THAT THE PRODUCT AS REPRESENTED SATISFIES DESIGN AND DIMENSION REQUIREMENTS. I ALSO ACKNOWLEDGE MY DUTY TO CONFIRM PRODUCT AND INSTALLATION COMPLIANCE WITH ALL APPLICABLE FEDERAL, STATE AND LOCAL REGULATIONS AND STANDARDS.

**ANY MODIFIED UNITS ARE NON-RETURNABLE**

[ ] As drawn      [ ] As marked

Signed: \_\_\_\_\_ Date: \_\_\_\_\_

Printed Name: \_\_\_\_\_

**LEAD TIME WILL START UPON RECEIPT OF SIGNED APPROVAL DRAWING**

FOR INTERNAL USE ONLY PROJECT SIGN OFF		DISTRIBUTOR'S NAME:		P.O.#
		<b>VESTIL MANUFACTURING</b>		X
SALES		DRAWN BY: DLS	DATE: 11/17/12	W.O.#
ENG.		REFERENCE: X	SCALE: 1:64	X
FAB.		QUOTED LEAD TIME: X	QUOTE # X	SALES: X
POWER				FILE NAME:
				18-007-199