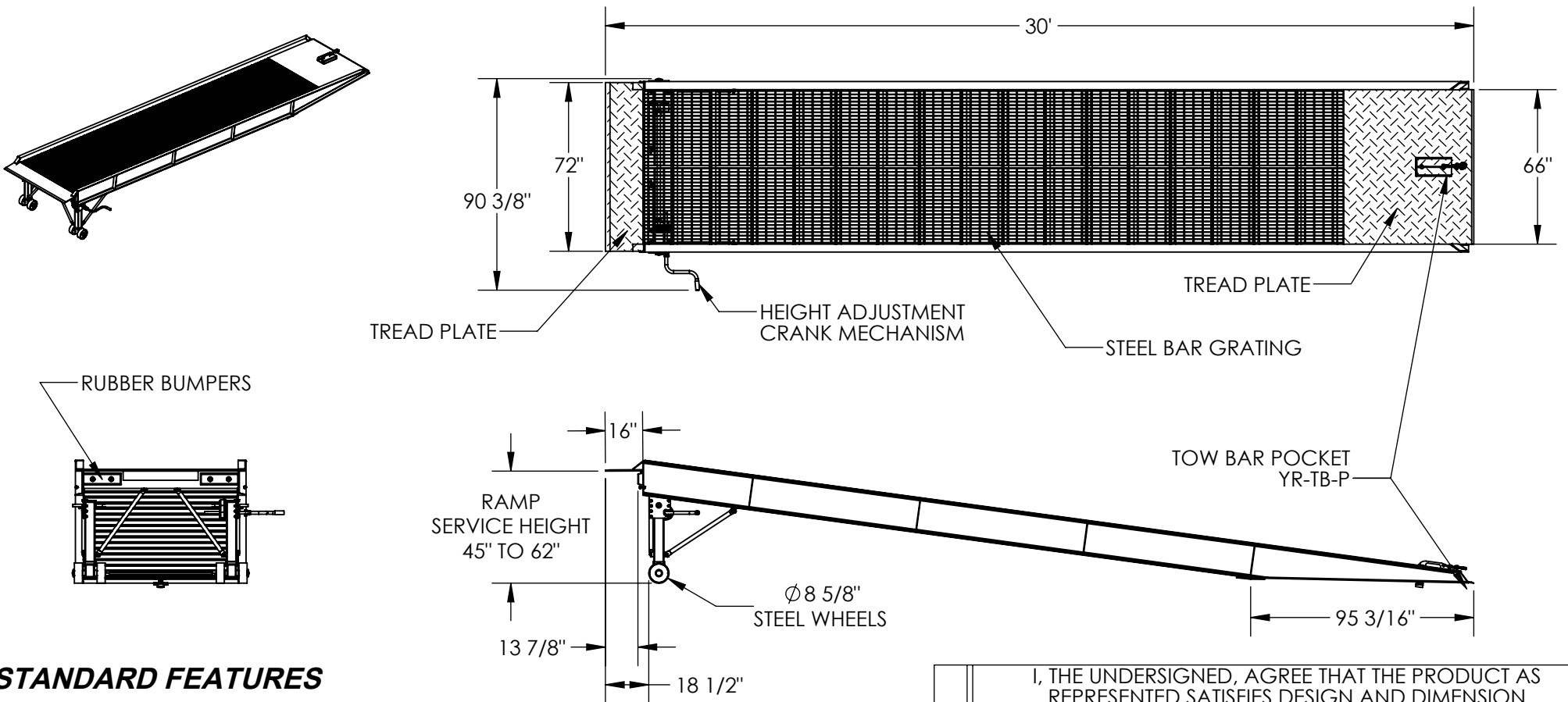


STEEL YARD RAMP - YR-25-7330

APPROX WEIGHT: 5301.56 lbs.
 DOES NOT INCLUDE WEIGHT OF POWER OR PACKAGING!!!

*** ANY ADDITIONS, DELETIONS, OR OMISSIONS MUST BE CORRECTED ON THIS DRAWING AS THIS DRAWING WILL BE CONSIDERED ALL INCLUSIVE ***
 ALL GRAPHICS PROVIDED ARE FOR REFERENCE ONLY. IF CERTAIN DIMENSIONS ARE CRITICAL PLEASE VERIFY THOSE DIMENSIONS WITH YOUR SALESPERSON



STANDARD FEATURES

- MODEL NUMBER IS YR-25-7330
- OVERALL RAMP WIDTH IS 90 3/8"
- USABLE RAMP WIDTH IS 66"
- OVERALL LENGTH IS 370 1/2"
- RAMP SERVICE HEIGHT IS 45" TO 62"
- RAMP CAPACITY IS 25,000 LBS.
- 4" HIGH SAFETY CURBS WITH SLOPED ENDS
- SAFETY CHAIN STANDARD (NOT SHOWN)
- OVERALL LIP SUPPORT EDGE IS 16"
- USABLE LIP SUPPORT EDGE IS 13 7/8"
- Ø8 5/8" STEEL WHEELS
- INCLUDES TOW BAR POCKET, MODEL # YR-TB-P
- DURABLE LIQUID PAINT BROWN FINISH

SPECIAL FEATURES

NONE

DIMENSION TOLERANCE ± 1"

APPROVAL	I, THE UNDERSIGNED, AGREE THAT THE PRODUCT AS REPRESENTED SATISFIES DESIGN AND DIMENSION REQUIREMENTS. I ALSO ACKNOWLEDGE MY DUTY TO CONFIRM PRODUCT AND INSTALLATION COMPLIANCE WITH ALL APPLICABLE FEDERAL, STATE AND LOCAL REGULATIONS AND STANDARDS.	
	ANY MODIFIED UNITS ARE NON-RETURNABLE	
	[] As drawn	[] As marked
	Signed: _____	Date: _____
Printed Name: _____		
LEAD TIME WILL START UPON RECEIPT OF SIGNED APPROVAL DRAWING		

FOR INTERNAL USE ONLY PROJECT SIGN OFF	
SALES	
ENG.	
FAB.	
POWER	

DISTRIBUTOR'S NAME:		P.O.#
VESTIL MANUFACTURING		X
W.O.#		X
DRAWN BY: DLS	DATE: 12/20/2012	SALES: X
REFERENCE: X	SCALE: 1:64	FILE NAME:
QUOTED LEAD TIME: X	QUOTE # X	18-007-206