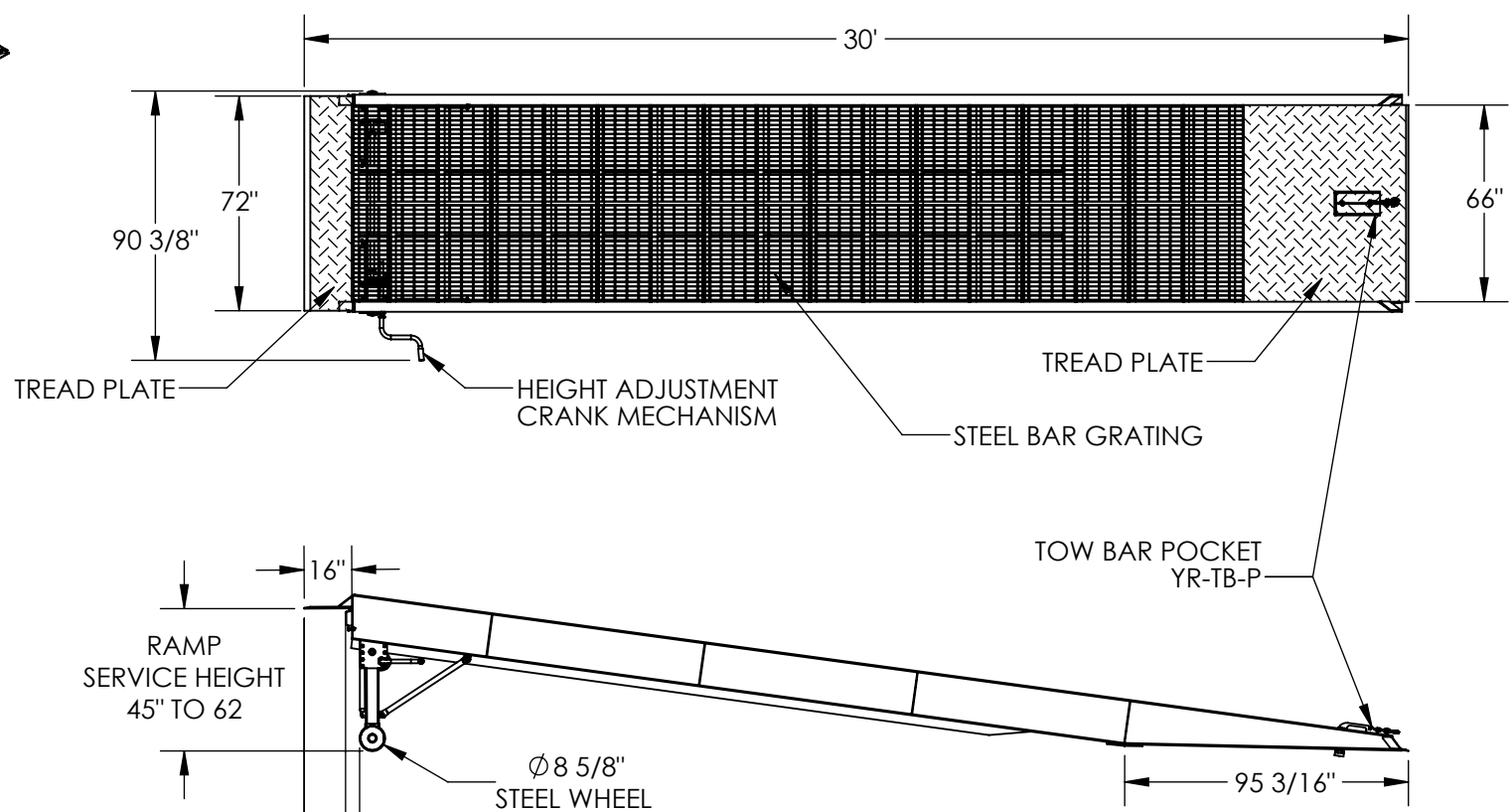
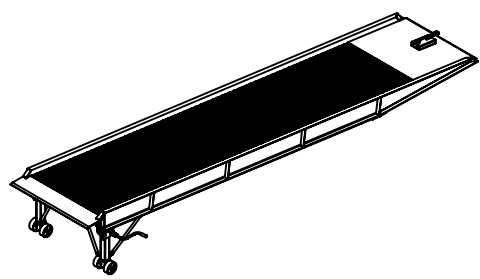


# STEEL YARD RAMP - YR-30-7330

APPROX WEIGHT: 5658.40 lbs.  
 DOES NOT INCLUDE WEIGHT OF POWER OR PACKAGING!!!

\*\*\* ANY ADDITIONS, DELETIONS, OR OMISSIONS MUST BE CORRECTED ON THIS DRAWING AS THIS DRAWING WILL BE CONSIDERED ALL INCLUSIVE \*\*\*

ALL GRAPHICS PROVIDED ARE FOR REFERENCE ONLY. IF CERTAIN DIMENSIONS ARE CRITICAL PLEASE VERIFY THOSE DIMENSIONS WITH YOUR SALESPERSON



## STANDARD FEATURES

- MODEL NUMBER IS YR-30-7330
- OVERALL RAMP WIDTH IS 90 3/8"
- USABLE RAMP WIDTH IS 66"
- OVERALL LENGTH IS 370 1/2"
- RAMP SERVICE HEIGHT IS 45" TO 62"
- RAMP CAPACITY IS 30,000 LBS.
- 4" HIGH SAFETY CURBS WITH SLOPED ENDS
- SAFETY CHAIN STANDARD ( NOT SHOWN )
- OVERALL LIP SUPPORT EDGE IS 16"
- LIP SUPPORT EDGE IS 13 7/8"
- Ø8 5/8" STEEL WHEELS
- INCLUDES TOW BAR POCKET, MODEL # YR-TB-P
- DURABLE LIQUID PAINT BROWN FINISH

## SPECIAL FEATURES

NONE

DIMENSION TOLERANCE ± 1"

**APPROVAL**

I, THE UNDERSIGNED, AGREE THAT THE PRODUCT AS REPRESENTED SATISFIES DESIGN AND DIMENSION REQUIREMENTS. I ALSO ACKNOWLEDGE MY DUTY TO CONFIRM PRODUCT AND INSTALLATION COMPLIANCE WITH ALL APPLICABLE FEDERAL, STATE AND LOCAL REGULATIONS AND STANDARDS.

**ANY MODIFIED UNITS ARE NON-RETURNABLE**

[ ] As drawn      [ ] As marked

Signed: \_\_\_\_\_ Date: \_\_\_\_\_

Printed Name: \_\_\_\_\_

*LEAD TIME WILL START UPON RECEIPT OF SIGNED APPROVAL DRAWING*

FOR INTERNAL USE ONLY PROJECT SIGN OFF	
SALES	
ENG.	
FAB.	
POWER	

DISTRIBUTOR'S NAME:		P.O.#
VESTIL MANUFACTURING		X
DRAWN BY: DLS		W.O.#
DATE: 12/20/2012		X
REFERENCE: X	SCALE: 1:64	SALES: X
QUOTED LEAD TIME: X	QUOTE # X	FILE NAME:
		18-007-210