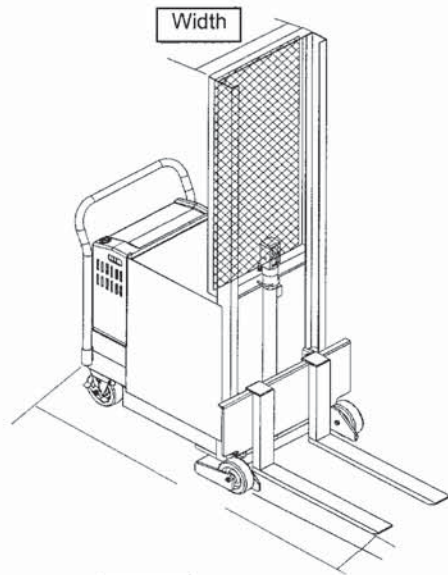


Inquiry Date: _____ Due Date: _____
 Contact: _____
 Company: _____
 Phone: _____
 Fax: _____
 E-mail: _____

Counter-Balanced Stacker Survey Sheet



PLATFORM SIZE

Not Critical

Overall Width: _____
 Overall Length: _____
 Overall Height: _____
 Load size: _____
 Fork Size: _____
 Capacity: _____
 Caster Type: _____
 Type of Flooring: _____
 Type of Loading: _____

BASE WIDTH

Width: _____
 Length: _____
 Lowered Ht.: _____
 Raised Ht.: _____
 Travel: _____
 Fork Adjustment (O.D.): _____

POWER (Check One)

____ A/C (110V ____ 220V ____ 460V ____ Other ____)
 ____ Single Phase ____ Three Phase
 ____ Air / Hydraulic
 ____ Reciprication Air / Oil ____ Rotary Air/Oil
 ____ Foot Pump / Manual
 ____ W / O Electrical Components

Controls: HAND ____ FOOT ____ NONE ____
 Power Unit: EXTERNAL ____ INTERNAL ____
 IF External - Length on Cords (8' STD) _____

Options:

____ Special Color _____ List Color
 ____ Stationary Unit
 Other: _____

Application Information:

Duty Cycle (High cycle?): _____
 Number of shifts: _____
 Special Temperature requirements: _____
 Side Loading: _____
 Special Loading and Unloading requirments: _____

Additional Notes:

*Internal power unit standard on most models.
 External Power units available

PRODUCT INFORMATION

Container / Product type:
 Basket / Pallet / Gaylord / Skid
 Other: _____

Product Size:

Length: _____
 Width: _____
 Height: _____
 Does container have feet? ____
 Does container have drop sides?
 Yes / No

Vestil Manufacturing Company * Angola, IN 46703 * Ph- 260-665-7586 * Fx- 260-665-1339