

# ELECTRIC HYDRAULIC LIFT & TILT TABLE SURVEY SHEET - EHLTT

Inquiry Date: \_\_\_\_\_ Due Date: \_\_\_\_\_  
 Contact: \_\_\_\_\_  
 Company: \_\_\_\_\_  
 Phone: \_\_\_\_\_  
 Fax: \_\_\_\_\_  
 E-mail: \_\_\_\_\_

PREVIOUS ORDER NUMBER OR  
 QUOTE NUMBER, IF APPLICABLE:  
 \_\_\_\_\_

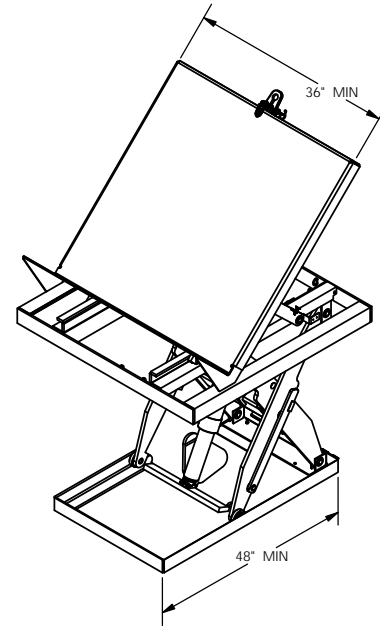
**PLATFORM SIZE** Not Critical  
 Overall Width: \_\_\_\_\_  
 Overall Length: \_\_\_\_\_  
 Usable Width: \_\_\_\_\_  
 Usable Length: \_\_\_\_\_

**BASE WIDTH** Not Critical  
 Width: \_\_\_\_\_  
 Length: \_\_\_\_\_

**Travel:** (Lift only)  
 Lowered Ht.: \_\_\_\_\_  
 Raised Ht.: \_\_\_\_\_

**Table Capacity:** \_\_\_\_\_

**Tilt Options:**  
 Tilting Deck  
 \_\_\_\_\_ 45deg (STD) \_\_\_\_\_ 90 deg (SEE EHLTT-H) \_\_\_\_\_ Other \_\_\_\_\_



(FOR NON-LIFT UNITS, SEE MODELS: EM, UNI, EHTT, ULTT)

**POWER (Check One)**  
 \_\_\_\_\_ A/C (110V \_\_\_\_\_ 220V \_\_\_\_\_ 460V \_\_\_\_\_ Other \_\_\_\_\_)  
 \_\_\_\_\_ Single Phase \_\_\_\_\_ Three Phase  
 \_\_\_\_\_ Air/Hydraulic  
 \_\_\_\_\_ Rotary Air / Oil  
 \_\_\_\_\_ No with no electrical Switches  
 \_\_\_\_\_ No power unit

Controls: (HAND \_\_\_\_\_ FOOT \_\_\_\_\_ NONE \_\_\_\_\_)  
 Power Unit: EXTERNAL \_\_\_\_\_ INTERNAL \_\_\_\_\_  
 IF External - Length on Cords (8' STD) \_\_\_\_\_

**Options:**  
 \_\_\_\_\_ Accordion Skirting (Bellows) \_\_\_\_\_ 1 piece (Lower) \_\_\_\_\_ 2 piece (Upper & Lower)  
 \_\_\_\_\_ Special Color: \_\_\_\_\_ RAL #: \_\_\_\_\_  
 \_\_\_\_\_ Surface Mt.  
 Additional options: \_\_\_\_\_

**PRODUCT INFO**  
 Load / Product type:  
 Basket / Pallet / Gaylord / Skid  
 Other: \_\_\_\_\_  
 Product Size:  
 Length: \_\_\_\_\_  
 Width: \_\_\_\_\_  
 Height: \_\_\_\_\_  
 Does container have feet? \_\_\_\_\_  
 Does container have drop sides?  
 Yes / No

**Application Information:**  
 Duty Cycle (High Cycle?): \_\_\_\_\_  
 Number of shifts: \_\_\_\_\_  
 Special Temperature requirements: \_\_\_\_\_  
 Minimum Working Temperature: \_\_\_\_\_  
 Side Loading: \_\_\_\_\_  
 Special Loading and Unloading Requirements: \_\_\_\_\_

**Additional Notes:** \_\_\_\_\_  
 \_\_\_\_\_  
 \_\_\_\_\_

**Quote options:**  
 \_\_\_\_\_ Exactly as specified \_\_\_\_\_ Cheapest / Closest to Vestil standard  
 \_\_\_\_\_ Quickest to ship  
 Requested Delivery Date: \_\_\_\_\_

\*All options may not be available on all models

Vestil Manufacturing Company \* Angola, IN 46703 \* Ph- 260-665-7586 \* Fx- 260-665-1339