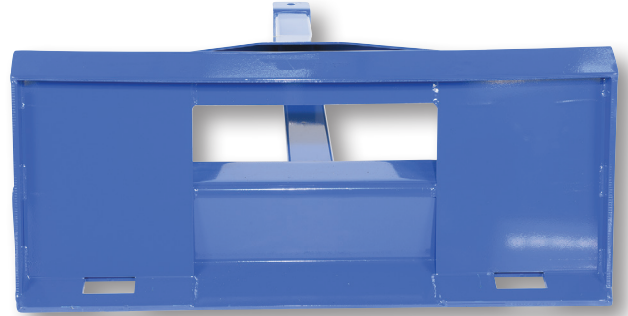
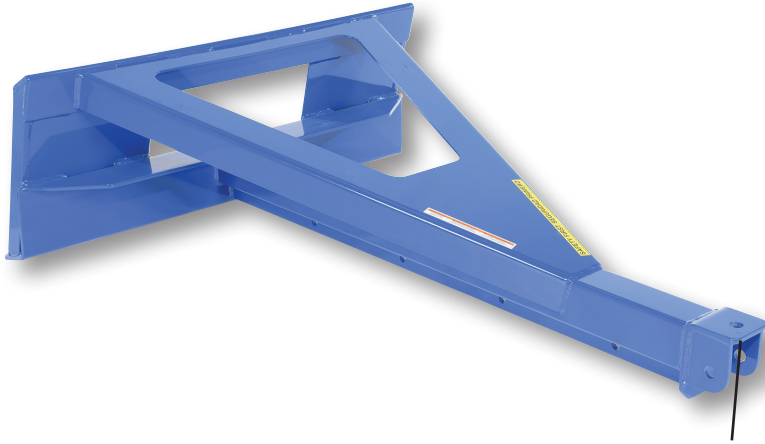


MULTI-PURPOSE LIFTING ATTACHMENT

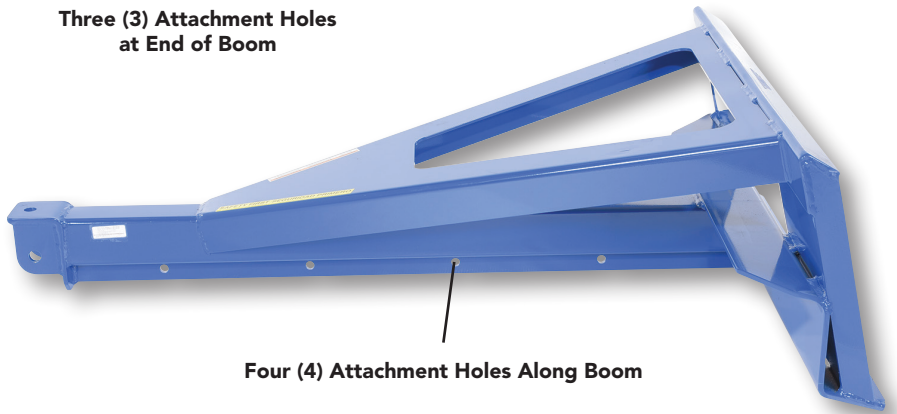


Universal Quick Attach Mounting System



Simple Attachment

Three (3) Attachment Holes at End of Boom



Four (4) Attachment Holes Along Boom

Standard Features:

- Pre-drilled holes for a variety of ways to attach lifting accessories.
- A large 3,000 lb. capacity enables handling large and small items.
- Universal mounting plate is on a 32" center.
- Rugged steel construction for increased lifting strength.
- Smooth finish minimizes abrasion and general wear and tear.
- Tough baked-in powder-coated blue finish.
- Made in USA of domestic and imported content.



MODEL NUMBER	OVERALL SIZE (W x L x H)	UNIFORM CAPACITY	WEIGHT (LB)
MPLA-58-3000	47" x 62 ^{7/16} " x 22 ^{22/32} "	3,000 lb.	333

A wonderful asset to an assortment of lifting equipment, such as skid steers!



Vestil Manufacturing Corporation
Larissa Flora - Sales Representative

2999 North Wayne Street, P.O. Box 570
 Angola, Indiana 46703, USA

Phone: (260) 624-4341 Fax: (260) 665-1339
 E-Mail: larissa@vestil.com Web: www.vestil.com