

SKID STEER HOPPER



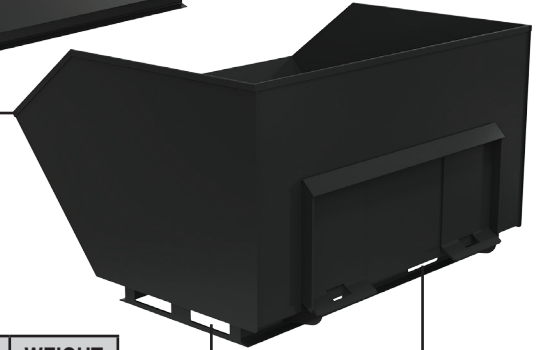
Standard Features:

- Universal quick attach mounting system for skid steers.
- Built-in fork pockets can also be utilized to move the hopper without a skid steer.
 - For transportation only.
- Low profile front edge provides space.
- Fork pockets are 8" w x 2½" H and are on 24" centers.
- Durable steel construction.
- Black liquid paint finish.



Model: EA-SKHH-200

Low Profile Front Edge



8"W x 2½"H Fork Pockets

MODEL NUMBER	OVERALL SIZE (W x L x H)	CUBIC YARDS	UNIFORM CAPACITY	FORK POCKETS /CENTER	WEIGHT (LB)
EA-SKHH-200	65" x 55" x 38"	2	4,000 lbs.	8" x 2½"/24"	575

ROUNDED RACK GUARDS

Standard Features:

- Protects racking against damage from fork trucks, pallet trucks, and carts.
- Unique 3-sided curved design provides protection from multiple angles.
- Available in 4" and 6" wide guard openings.
- Schedule 10 steel construction.
- Tough baked-in yellow powder-coat finish.
- Four pre-drilled mounting holes.
 - Installation hardware sold separately.



Model: RRG-12-4-YL

MODEL NUMBER	OVERALL SIZE (W x L x H)	GUARD OPENING	MOUNTING PLATE	WEIGHT (LB)
RRG-12-4-YL	7¼" x 6½" x 12"	4"	7¼" x 6½"	11
RRG-12-6-YL	9¼" x 6½" x 12"	6"	9¼" x 6½"	12
RRG-18-4-YL	7¼" x 6½" x 18"	4"	7¼" x 6½"	16
RRG-18-6-YL	9¼" x 6½" x 18"	6"	9¼" x 6½"	17
RRG-24-4-YL	7¼" x 6½" x 24"	4"	7¼" x 6½"	21
RRG-24-6-YL	9¼" x 6½" x 24"	6"	9¼" x 6½"	22



Vestil Manufacturing Corporation
 Larissa Flora - Sales Representative

2999 North Wayne Street, P.O. Box 570
 Angola, Indiana 46703, USA
 Phone: (260) 624-4341 Fax: (260) 665-1339
 E-Mail: larissa@vestil.com Web: www.vestil.com